



“Always Better”

**Aluminium
Window & Door Hardwares**

Warning

All information contained in this catalog has been tried to keep up to date since the date of publication. Fornax is not responsible for the technical and legislative changes and product changes that may occur due to timeout that made after the date of publication. Errors that may arise in the case of printing and typesetting, the records in Fornax system will be considered.

All copying and distribution rights reserved.

**Yelken Kalıp Pencere Kapı Aksesuarları
ve Metal Sanayi Tic. A.S.**

Kırac Battalgazi Mah. Ahmet Hasim Cad. No:27
Esenyurt - İstanbul - TURKEY

Phone : +90 212 771 01 01 PBX

Fax : +90 212 771 01 10

sales@fornax.com.tr

www.fornax.com.tr



Fornax Alu
Yelken Kalıp Pencere Kapı
Aks. ve Metal San. Tic. A.Ş.

45 years experience

Our Company established by Suleyman Yelken in 1969. In the first years had worked sheet iron parts and metal processing sector.

It had supplied special components and parts for the biggest companies in the World in 1980 with the higher quality policy.

During these period it has gained experience and started to produce door and window hardwares in 1990.

Our Company has started one person and with in short time it became a lider Company in this field with regularly improving. During this period our Company had invested for development and growth.

In the years 1990 had worked to improve production field according to customers requirements. Increased the R&D investments and become a good production capacity to it can produce all the necessary hardwares for door and window sector.

During this period our Company started to produce tilt and turn systems, multipoint and mortise door locks, sliding systems, fitting parts, door and window handles and the other accessories. It has contributed international and national quality certificates TSE,ISO 9001, LNE, RAL, GOST-R.

Our Company has continued to investments for automation systems which is technological necessary. It has become a World company in this sector with high quality products and customer satisfaction policy.





Fornax Alu Quality Certificates

Quality and Environmental Policy

Yelken Kalıp Pencere Kapı Aks. ve Metal San. Tic. A.S Our undertakes to fulfill the requirements of the quality standards ISO 9001:2008 and high quality products and services.

It has approved to management systems in the Company established according to Quality Management Systems and this system is applied in the Company.

Pays attention to the protection of the environment during production activities. It continues production process and services according to environmental policies to protect naturel resources and ecological balance.



WARRANTY CERTIFICATE

THIS IS TO CERTIFY THAT WE, YELKEN KALIP WARRANTY
OUR PRODUCT AGAINST MANUFACTURING DEFECTS FOR A MINIMUM
PERIOD OF 10 YEARS. OUR WARRANTY WILL BE VOID IF THE PRODUCTS ARE MISUSED,
IMPROPERLY ASSEMBLED OR DAMAGED IN ANYWAY.

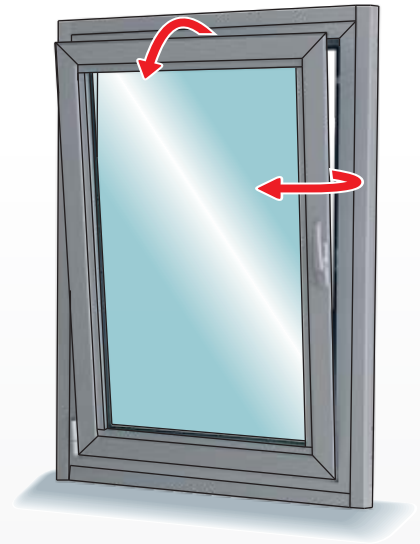
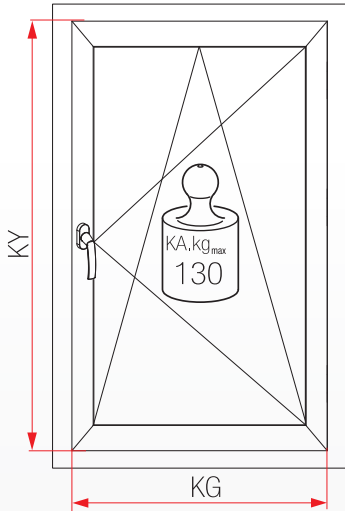
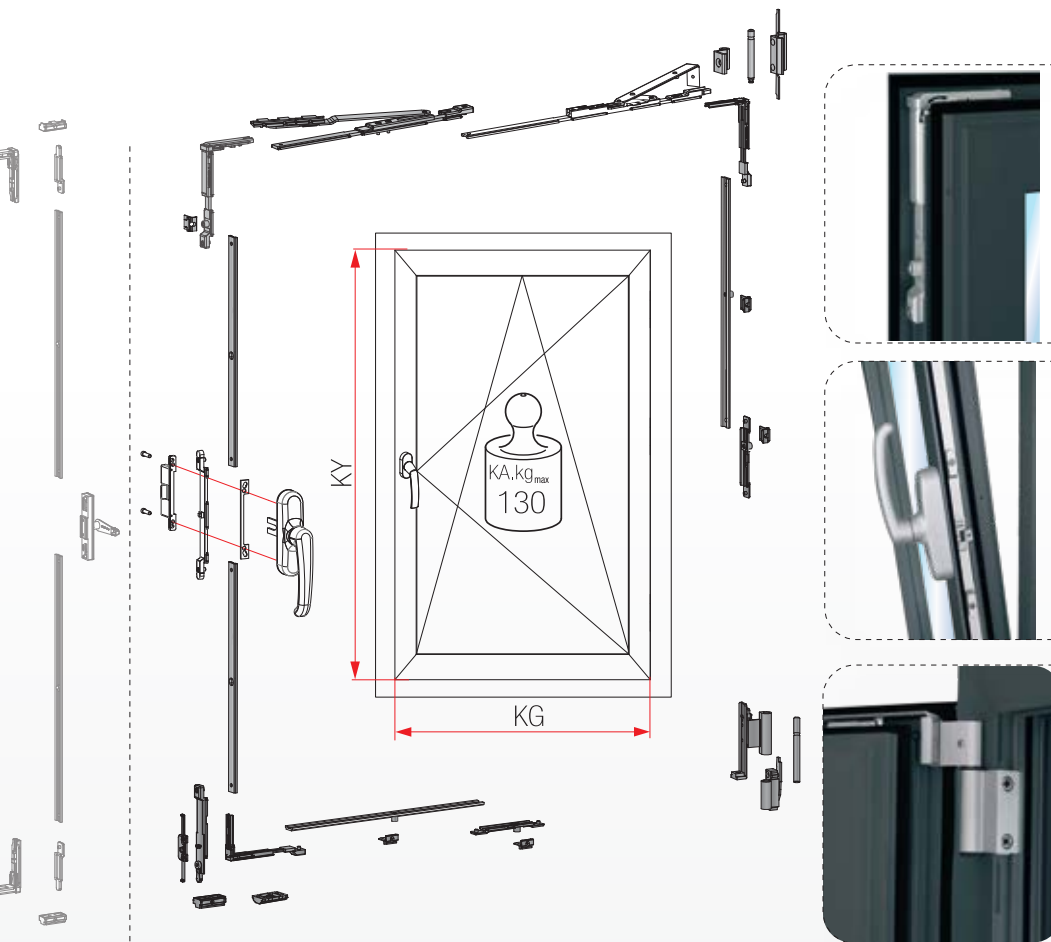
10 YEAR

Yelken Kalıp Pencere Kapı Aksesuarları
ve Metal Sanayi Tic. A.Ş.
Kırac Battalgazi Mah., Ahmet Hasim Cad. No:27
Esenyurt - İstanbul - TÜRKİYE
Phone : +90 212 771 01 01 PBX
Fax : +90 212 771 01 10
sales@fornax.com.tr
www.fornax.com.tr

EURO GROOVE

TILT & TURN SYSTEM

ETS-130



Technical Specifications

- Sash Width: 380mm - 1600*mm
 - Sash Height.....: 500mm - 2400 mm
 - Sash Weight: Max. 100-130** kg
- * Additional stay arm must be use upper than 1200 mm
 ** Sash carrying capacity could be increased 130 kgs with additional top hinge

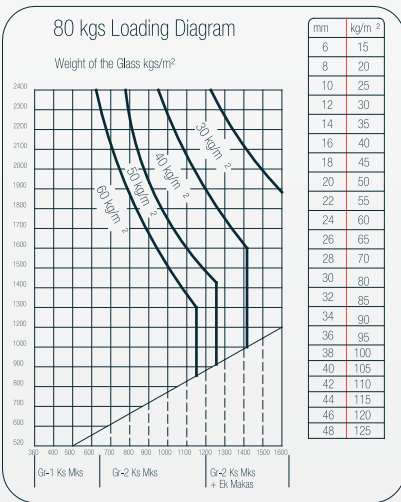
Color Options

- Our Standart Colors
- For other colors please ask your sales representative

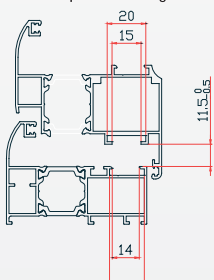


Our Advantages

- The parts can be installed without move the other parts.
- The system is ideal with 100 -130 kgs carrying capacity of the sash for tilt and turn opening.
- Can be assembled with in short time. It has designed specially to avoid wrong installation.
- Handle of the systems has a good appearance and strong..



Available profile drawing



Description	Code	Group	Vertical Dimentions	Horizontal Dimentions	Color	Pcs.
Tilt & Turn Systems Sets*	201.040.100.100	GR_01	500-2400	380-680	Raw (without painting)	1 Set
	201.040.100.101	GR_01	500-2400	380-680	Ral-9016 White	1 Set
	201.040.100.102	GR_01	500-2400	380-680	Anodized	1 Set
	201.040.100.103	GR_01	500-2400	380-680	Special Color	1 Set
	201.040.101.100	GR_02	500-2400	680-1600	Raw (without painting)	1 Set
	201.040.101.101	GR_02	500-2400	680-1600	Ral-9016 White	1 Set
	201.040.101.102	GR_02	500-2400	680-1600	Anodized	1 Set
	201.040.101.103	GR_02	500-2400	680-1600	Special Color	1 Set

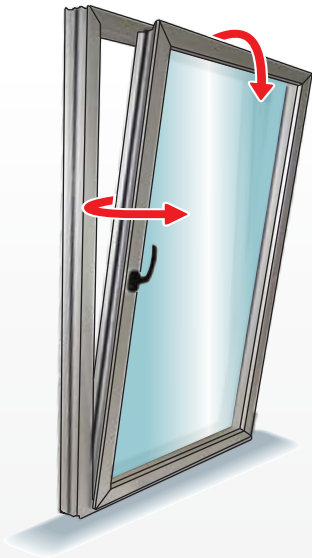
* Content of the Set in the box: Stay Arm, Corner Transmission , Middle Lock , Faulty Usage, Locking Plates Parts Sash Lifting Device , 3 pcs locking plate striker, Top and Bottom Hinges Set For the part details please look at the below table:

Description	Code	Item	Pcs.
Double Sash Parts	200.000.500.000	Double Sash Espagnolette Mechanism	1pc
	201.730.110.000	Double Sash Shoot Bolt Set	1pc

PERIMETRIC GROOVE

TILT & TURN SYSTEM

w / CLIPS



Technical Specifications

- Sash Width: 400mm - 1600*mm
- Sash Height.....: 480mm - 2400 mm
- Sash Weight.....: Max. 100 Kg

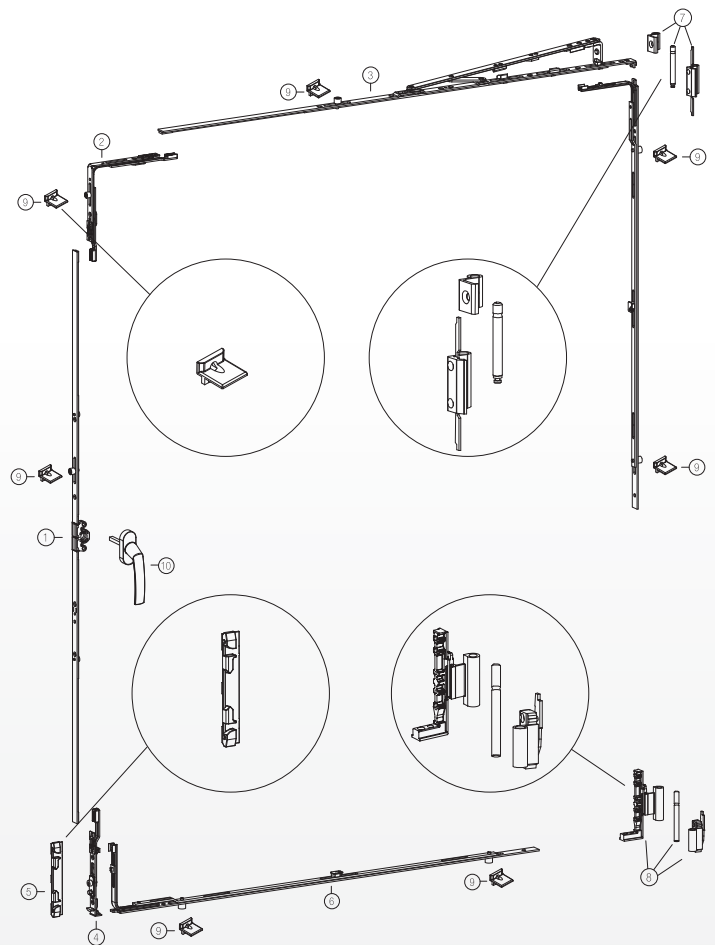
Color Options

- Our Standart Colors
- For other colors please ask your sales representative

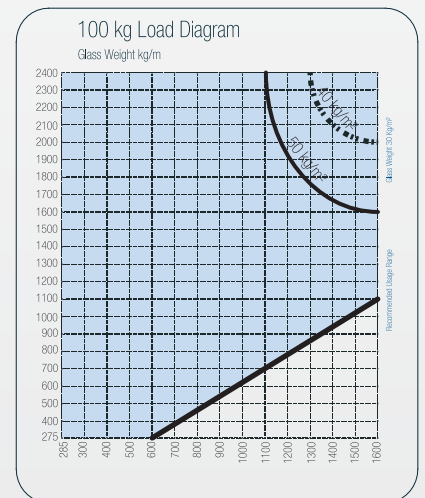
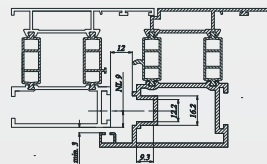
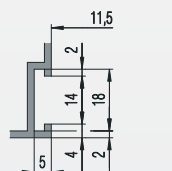
Ral-9016	Ral-8003	Ral-8017	Ral-8019	Ral-8022	Ral-9006
----------	----------	----------	----------	----------	----------

Our Advantages

- Our system is suitable for Fixed Handle (FH) application.
- Carrying capacity is ideally suitable for tilt & turn, turn only and tilt only windows up to 100 kg. of sashes
- Saves time in installation.
- Our system has two type of hinge options including clipped and corner connection.
- Micro Ventilated Corner Transmission is available in our product portfolio.

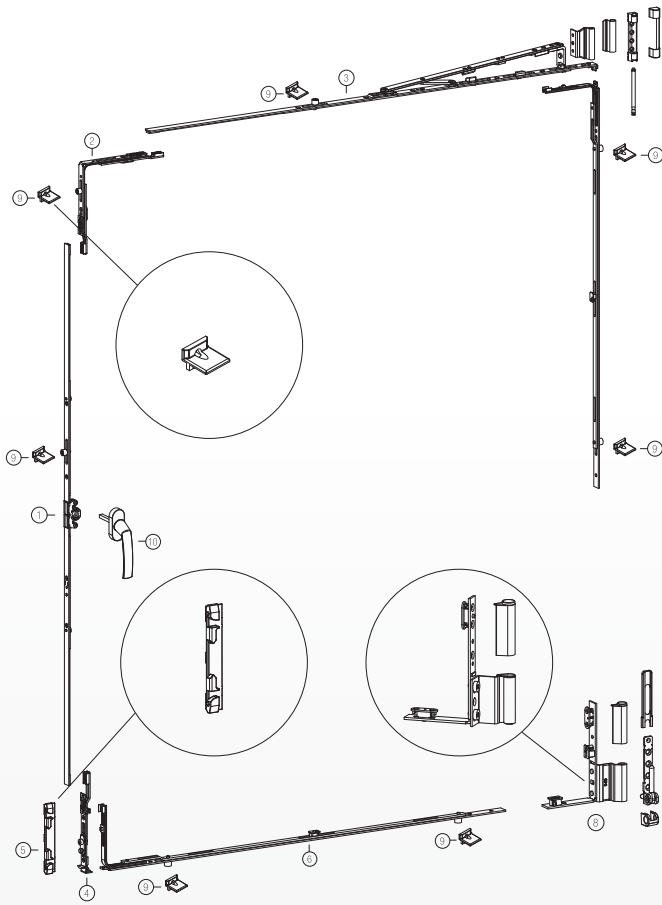


Frame Dimensions 14/18



■ For Order please ask your sales representative

- | | |
|----------------------------|--------------------|
| ① Tilt & Turn Espagnolette | ⑥ Middle Lock |
| ② Corner Transmisson | ⑦ Top Hinge Set |
| ③ Stay Arm | ⑧ Bottom Hinge Set |
| ④ Bottom Lock | ⑨ Locking Striker |
| ⑤ Bottom Lock Striker | ⑩ Handle |



PERIMETRIC GROOVE

TILT & TURN SYSTEM

w / REBATE HINGE

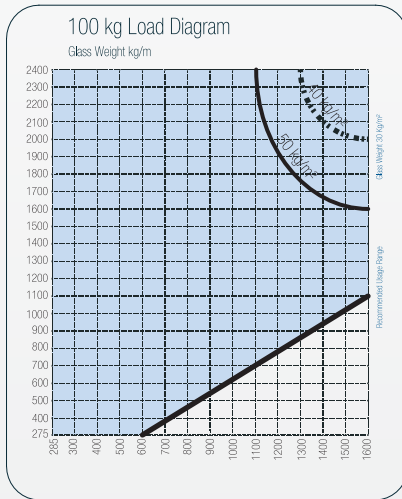


Technical Specifications

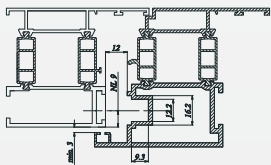
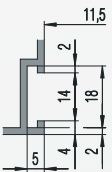
- Sash Width: 400mm - 1600*mm
- Sash Height.....: 480mm - 2400 mm
- Sash Weight.....: Max. 100 Kg

Color Options

- Our Standart Colors
- For other colors please ask your sales representative



Frame Dimensions 14/18



■ For Order please ask your sales representative

- | | |
|-----------------------|--------------------|
| ① T&T Espagnolette | ⑥ Middle Lock |
| ② Corner Transmission | ⑦ Top Hinge Set |
| ③ Stay Arm | ⑧ Bottom Hinge Set |
| ④ Bottom Lock | ⑨ Locking Striker |
| ⑤ Bottom Lock Striker | ⑩ Handle |

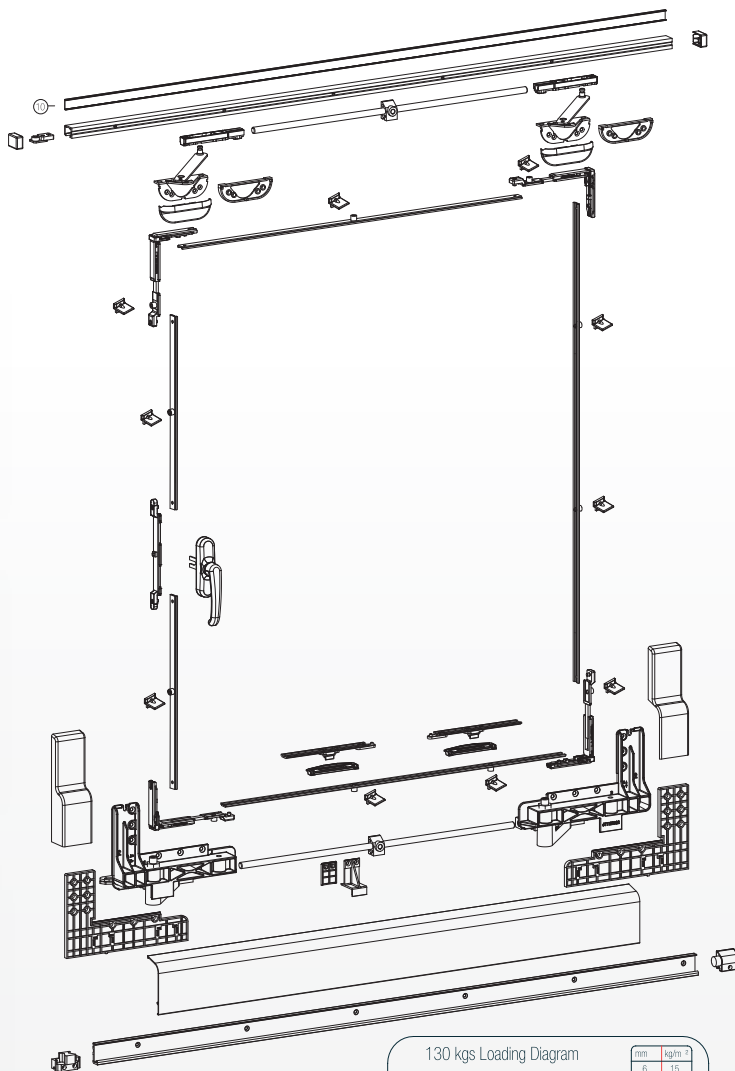
Our Advantages

- Our system is suitable for Fixed Handle (FH) application.
- Carrying capacity is ideally suitable for tilt & turn, turn only and tilt only windows up to 100 kg. of sashes
- Saves time in installation.
- Our system has two type of hinge options including clipped and corner connection.
- Micro Ventilated Corner Transmission is available in our product portfolio.

EURO GROOVE

PARALLEL SLIDING SYSTEMS

130ME MANUAL/130Y SEMI-AUTOMATIC



Technical Specifications

- Sash Width: 500mm - 1600*mm
- Sash Height.....: 885mm - 2400 mm
- Frame Width.....: Max. 3200 mm
- Sash Weight.....: Max. 130 Kg

Color Options

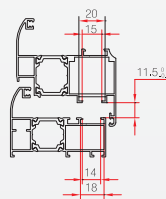
- Our Standart Colors
- For other colors please ask your sales representative



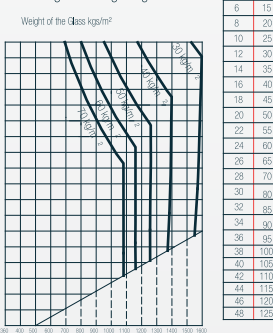
Our Advantages

- Our system provides usage possibility of 30 Aks. Lockable CH Espagnolette.
- Carrying capacity for Sashes up to 130kg
- Time saving on fitting
- Can be operated both manual and semi-automatic

Available Profile Details



130 kgs Loading Diagram



Description	Code	Group	Vertical Dimentions	Horizontal Dimentions	Rail Size	Pcs.
Rail Set *	199.510.020.000	A200	800-2400	500-1600	2000	1 Set
	199.510.026.000	A260	800-2400	500-1600	2600	1 Set
	199.510.032.000	A320	800-2400	500-1600	3200	1 Set

*Content of Rail Set: Bottom Rail, Top Rail, Rop rail cover profile, Bottom roller ser cover and connecting drill part .

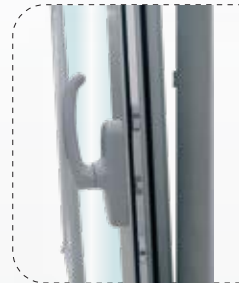
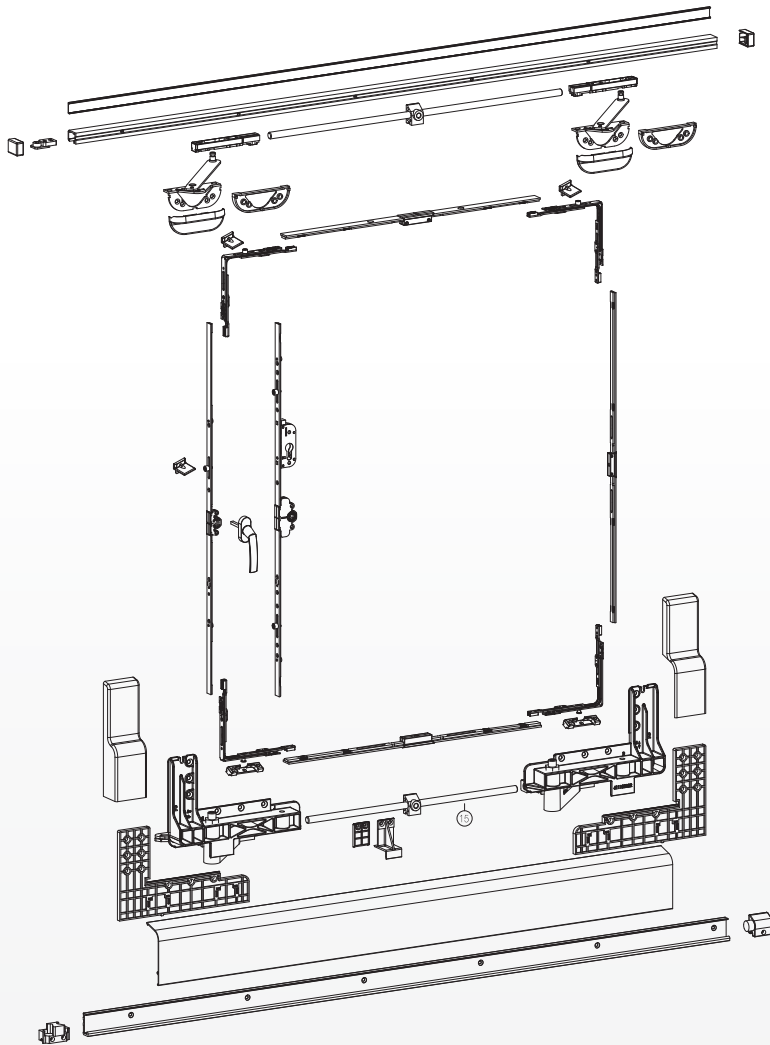
Description	Code	Group	Handle	Axis	Right / Left	Pcs.
Accessories Set *	199.531.200.000	130ME	☑	10	Right	1 Set
	199.531.300.000	130ME	☑	10	Left	1 Set
	199.532.200.000	130ME	☐	10	Right	1 Set
	199.532.300.000	130ME	☐	10	Left	1 Set

*Content of Accessories Set: 130 Kg Roller Set , 130 Kg Roller cover set , Cover Supporting part, Top Rail Cover Set , Bottom Stopper, Top Stopper , Bottom Rail Supporting Part, Stay Arm Rail Connecting Part , Tilt part of Sash , Top Drill Supporting Part , Scissors and Cover , Handle (Optional), Corner Transmission, Top connection drill part , Roller and RailAdaptor Parts

PERIMETRIC GROOVE

PARALLEL SLIDING SYSTEMS

130M MANUAL



Technical Specifications

- Sash Width: 500mm - 1600*mm
- Sash Height.....: 885mm - 2400 mm
- Frame Width.....: Max. 3200 mm
- Sash Weight.....: Max. 130 Kg

Color Options

- Our Standart Colors
- For other colors please ask your sales representative



Our Advantages

- Our system provides usage possibility of 30 Aks. Lockable CH Espagnolette.
- Carrying capacity for Sashes up to 130kg
- Time saving on fitting
- Can be operated both manual and semi-automatic

Description	15 Axis Espagnolette	30Axis Espagnolette	Group	Vertical Dimintions	Horizontal Dimintions	Rail Size	Pcs.
Espagnolette & Rail Set *	199.320.020.100		A200	885-1300	685-1100	2000	1 Set
	199.320.020.200		B200	1185-1600	685-1100	2000	1 Set
	199.320.020.300	199.320.120.300	C200	1585-2000	685-1100	2000	1 Set
	199.320.020.400	199.320.120.400	D200	1985-2400	685-1100	2000	1 Set
	199.320.026.100		A260	885-1300	885-1300	2600	1 Set
	199.320.026.200		B260	1185-1600	885-1300	2600	1 Set
	199.320.026.300	199.320.026.300	C260	1585-2000	885-1300	2600	1 Set
	199.320.026.400	199.320.126.400	D260	1985-2400	885-1300	2600	1 Set
	199.320.032.100		A320	885-1300	1185-1600	3200	1 Set
	199.320.032.200		B320	1185-1600	1185-1600	3200	1 Set
	199.320.032.300	199.320.132.300	C320	1585-2000	1185-1600	3200	1 Set
	199.320.032.400	199.320.132.400	D320	1985-2400	1185-1600	3200	1 Set

* Content of Espagnolette & Rail Set : 1 piece 15/30 Axis Esp. 1 piece Vertical and 2 pieces Horizontal Connection Esp., Bottom Rail, Top Rail, Top Rail Closer Profile, Bottom Roller Cover and Connection Piece

Description	Code	Group	Handle	Axis	Right / Left	Pcs.
Accessories Set *	199.331.200.000	130ML	☑	9	Right	1 Set
	199.331.200.100	130ML	☑	13	Right	1 Set
	199.331.300.000	130ML	☑	9	Left	1 Set
	199.331.300.100	130ML	☑	13	Left	1 Set
	199.332.200.000	130ML	☑	9	Right	1 Set
	199.332.200.100	130ML	☑	13	Right	1 Set
	199.332.300.000	130ML	☑	9	Left	1 Set
	199.332.300.100	130ML	☑	13	Left	1 Set

Content of Accessories Set: 130 Kg Roller Set, 130 Kg Roller Cover Set, Cover Support Piece, Top Rail End Cover Set, Bottom Rail Stopper Piece, Top Rail Stopper Piece, Bottom Mille Support Piece, Stay Arm Rail Connection Piece, Sash Tilt Piece, Top Mille Support Piece, Stay arm & Cover, Handle(Optional), Corner Transmission, Security Corner Transmission, Security Bottom Lock Striker, Top Rail Connection Holder

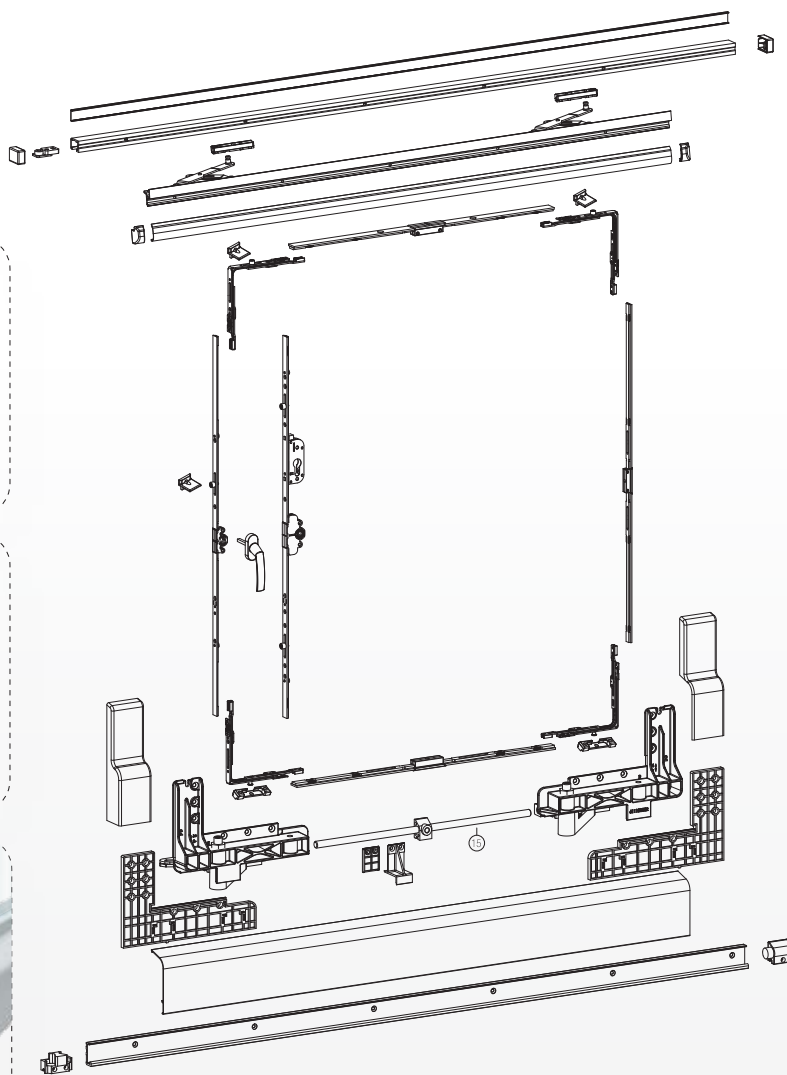
Fornax AluMotion

Fornax AluMotion
Aluminium Window & Door Hardwares

PERIMETRIC GROOVE

PARALLEL SLIDING SYSTEMS

130ML LUXURY MANUAL



Technical Specifications

- Sash Width: 500mm - 1600*mm
- Sash Height.....: 885mm - 2400 mm
- Frame Width.....: Max. 3200 mm
- Sash Weight.....: Max. 130 Kg

Color Options

- Our Standart Colors
- For other colors please ask your sales representative



Our Advantages

- Our system provides usage possibility of 30 Aks. Lockable CH Espagnolette.
- Carrying capacity for Sashes up to 130kg
- Time saving on fitting
- Can be operated both manual and semi-automatic

Description	15 Axis Espagnolette	30Axis Espagnolette	Group	Vertical Dimintions	Horizontal Dimintions	Rail Size	Pcs.
Espagnolette & Rail Set *	199.320.020.100		A200	885-1300	685-1100	2000	1 Set
	199.320.020.200		B200	1185-1600	685-1100	2000	1 Set
	199.320.020.300	199.320.120.300	C200	1585-2000	685-1100	2000	1 Set
	199.320.020.400	199.320.120.400	D200	1985-2400	685-1100	2000	1 Set
	199.320.026.100		A260	885-1300	885-1300	2600	1 Set
	199.320.026.200		B260	1185-1600	885-1300	2600	1 Set
	199.320.026.300	199.320.026.300	C260	1585-2000	885-1300	2600	1 Set
	199.320.026.400	199.320.126.400	D260	1985-2400	885-1300	2600	1 Set
	199.320.032.100		A320	885-1300	1185-1600	3200	1 Set
	199.320.032.200		B320	1185-1600	1185-1600	3200	1 Set
	199.320.032.300	199.320.132.300	C320	1585-2000	1185-1600	3200	1 Set
	199.320.032.400	199.320.132.400	D320	1985-2400	1185-1600	3200	1 Set

* Content of Espagnolette & Rail Set : 1 piece 15/30 Axis Esp. 1 piece Vertical and 2 pieces Horizontal Connection Esp., Bottom Rail, Top Rail, Top Rail Closer Profile Bottom Roller Cover and Connection Piece

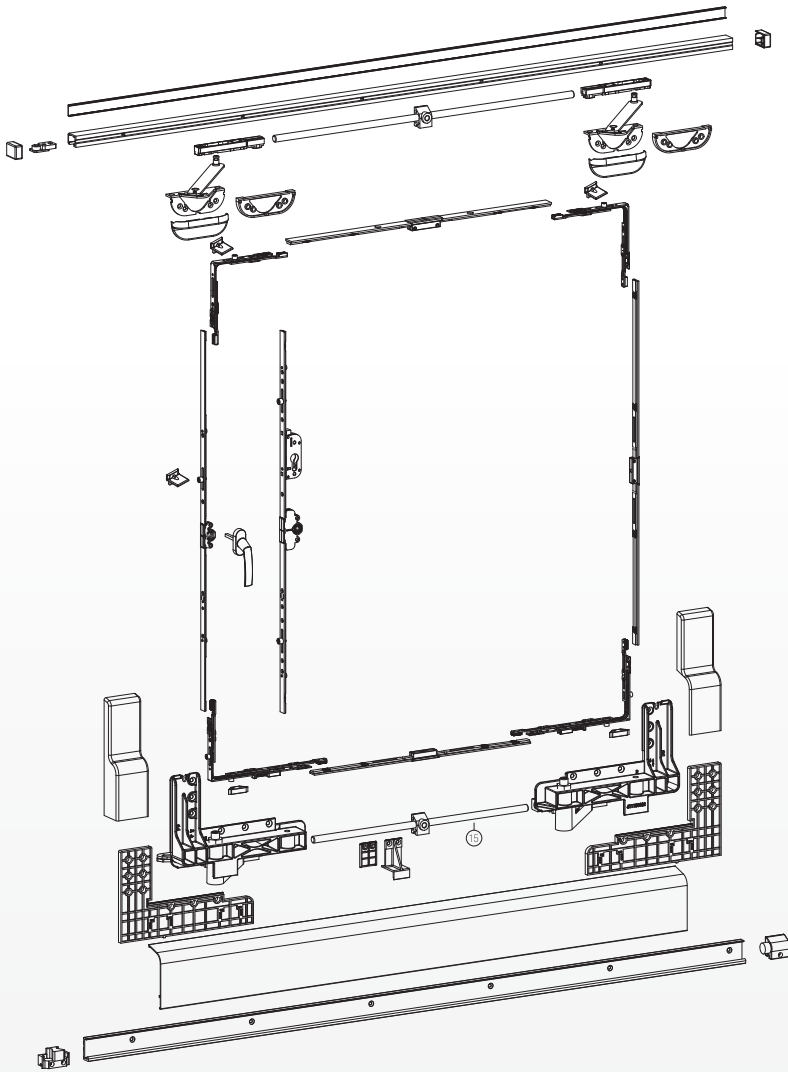
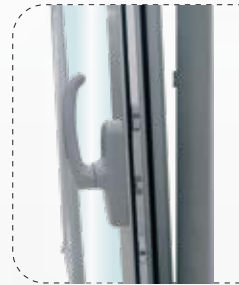
Description	Code	Group	Handle	Axis	Right / Left	Pcs.
Accessories Set *	199.331.200.000	130ML	☑	9	Right	1 Set
	199.331.200.100	130ML	☑	13	Right	1 Set
	199.331.300.000	130ML	☑	9	Left	1 Set
	199.331.300.100	130ML	☑	13	Left	1 Set
	199.332.200.000	130ML	☑	9	Right	1 Set
	199.332.200.100	130ML	☑	13	Right	1 Set
	199.332.300.000	130ML	☑	9	Left	1 Set
	199.332.300.100	130ML	☑	13	Left	1 Set

Content of Accessories Set: 130 Kg Roller Set, 130 Kg Roller Cover Set, Cover Support Piece, Top Rail End Cover Set, Bottom Rail Stopper Piece, Top Rail Stopper Piece, Bottom Mile Support Piece, Stay Arm Rail Connection Piece, Sash Tilt Piece, Top Mile Support Piece, Stay arm & Cover, Handle(Optional), Corner Transmission, Security Corner Transmission, Security Bottom Lock Striker, Top Rail Connection Holder

PERIMETRIC GROOVE

PARALLEL SLIDING SYSTEMS

130Y SEMI-AUTOMATIC



Technical Specifications

- Sash Width: 500mm - 1600*mm
- Sash Height.....: 885mm - 2400 mm
- Frame Width.....: Max. 3200 mm
- Sash Weight.....: Max. 130 Kg

Color Options

- Our Standart Colors
- For other colors please ask your sales representative



Our Advantages

- Our system provides usage possibility of 30 Aks. Lockable CH Espagnolette.
- Carrying capacity for Sashes up to 130kg
- Time saving on fitting
- Can be operated both manual and semi-automatic

Description	15 Axis Espagnolette	30Axis Espagnolette	Group	Vertical Dimintions	Horizontal Dimintions	Rail Size	Pcs.
Espagnolette & Rail Set *	199.120.020.100		A200	885-1300	685-1100	2000	1 Set
	199.120.020.200		B200	1185-1600	685-1100	2000	1 Set
	199.120.020.300	199.120.120.300	C200	1585-2000	685-1100	2000	1 Set
	199.120.020.400	199.120.120.400	D200	1985-2400	685-1100	2000	1 Set
	199.120.026.100		A260	885-1300	885-1300	2600	1 Set
	199.120.026.200		B260	1185-1600	885-1300	2600	1 Set
	199.120.026.300	199.120.026.300	C260	1585-2000	885-1300	2600	1 Set
	199.120.026.400	199.120.126.400	D260	1985-2400	885-1300	2600	1 Set
	199.120.032.100		A320	885-1300	1185-1600	3200	1 Set
	199.120.032.200		B320	1185-1600	1185-1600	3200	1 Set
	199.120.032.300	199.120.132.300	C320	1585-2000	1185-1600	3200	1 Set
	199.120.032.400	199.120.132.400	D320	1985-2400	1185-1600	3200	1 Set

* Content of Espagnolette & Rail Set : 1 piece 15/30 Axis Esp. , 1 piece vertical and 2 pieces Connection Piece, Bottom Rail, Top Rail, Top Rail Closer Profile, Bottom Roller Cover and Connection Mile.

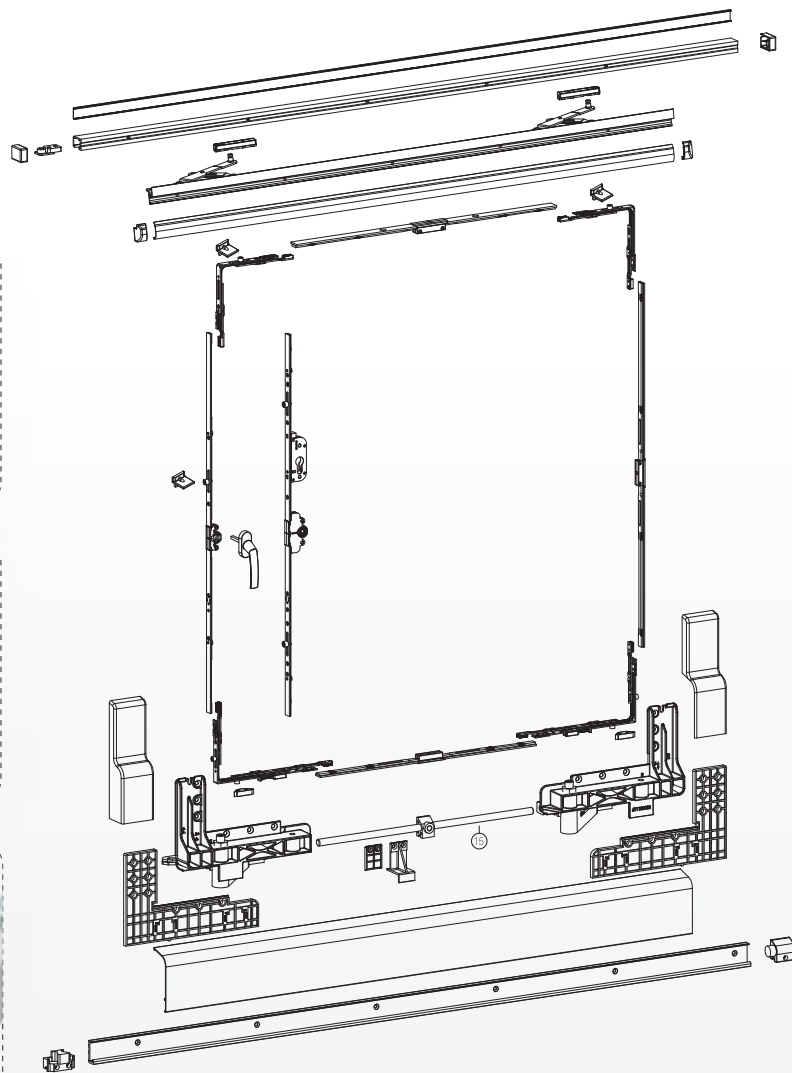
Description	Code	Group	Handle	Axis	Right / Left	Pcs.
Accessories Set *	199.131.200.000	130Y	☑	9	Right	1 Set
	199.131.200.100	130Y	☑	13	Right	1 Set
	199.131.300.000	130Y	☑	9	Left	1 Set
	199.131.300.100	130Y	☑	13	Left	1 Set
	199.132.200.000	130Y	☑	9	Right	1 Set
	199.132.200.100	130Y	☑	13	Right	1 Set
	199.132.300.000	130Y	☑	9	Left	1 Set
	199.132.300.100	130Y	☑	13	Left	1 Set

Content of Accessories Set: 130 Kg Roller Set, 130 Kg Roller Cover Set, Cover Support Piece, Top Rail End Cover Set, Bottom Rail Stopper Piece, Top Rail Stopper Piece, Bottom Mile Support Piece, Stay Arm Rail Connection Piece, Sash Tilt Piece, Top Mile Support Piece, Stay arm & Cover, Handle(Optional), Corner Transmission, Security Corner Transmission, Security Bottom Lock Striker, Top Rail Connection Holder

PERIMETRIC GROOVE

PARALLEL SLIDING SYSTEMS

130YL LUXURY SEMI-AUTOMATIC



Technical Specifications

- Sash Width: 500mm - 1600*mm
- Sash Height.....: 885mm - 2400 mm
- Frame Width.....: Max. 3200 mm
- Sash Weight.....: Max. 130 Kg

Color Options

- Our Standart Colors
- For other colors please ask your sales representative



Our Advantages

- Our system provides usage possibility of 30 Aks. Lockable CH Espagnolette.
- Carrying capacity for Sashes up to 130kg
- Time saving on fitting
- Can be operated both manual and semi-automatic

Description	15 Axis Espagnolette	30Axis Espagnolette	Group	Vertical Dimintions	Horizontal Dimintions	Rail Size	Pcs.
Espagnolette & Rail Set *	199.120.020.100		A200	885-1300	685-1100	2000	1 Set
	199.120.020.200		B200	1185-1600	685-1100	2000	1 Set
	199.120.020.300	199.120.120.300	C200	1585-2000	685-1100	2000	1 Set
	199.120.020.400	199.120.120.400	D200	1985-2400	685-1100	2000	1 Set
	199.120.026.100		A260	885-1300	885-1300	2600	1 Set
	199.120.026.200		B260	1185-1600	885-1300	2600	1 Set
	199.120.026.300	199.120.026.300	C260	1585-2000	885-1300	2600	1 Set
	199.120.026.400	199.120.126.400	D260	1985-2400	885-1300	2600	1 Set
	199.120.032.100		A320	885-1300	1185-1600	3200	1 Set
	199.120.032.200		B320	1185-1600	1185-1600	3200	1 Set
	199.120.032.300	199.120.132.300	C320	1585-2000	1185-1600	3200	1 Set
	199.120.032.400	199.120.132.400	D320	1985-2400	1185-1600	3200	1 Set

* Content of Espagnolette & Rail Set : 1 piece 30 Axis Esp. , 1 piece vertical and 2 pieces Connection Piece, Bottom Rail, Top Rail Top Rail Closer Profile, Bottom Roller Cover and Connection Mile.

Description	Code	Group	Handle	Axis	Right / Left	Pcs.
Accessories Set *	199.131.200.000	130YL	☑	9	Right	1 Set
	199.131.200.100	130YL	☑	13	Right	1 Set
	199.131.300.000	130YL	☑	9	Left	1 Set
	199.131.300.100	130YL	☑	13	Left	1 Set
	199.132.200.000	130YL	☑	9	Right	1 Set
	199.132.200.100	130YL	☑	13	Right	1 Set
	199.132.300.000	130YL	☑	9	Left	1 Set
	199.132.300.100	130YL	☑	13	Left	1 Set

Content of Accessories Set: 130 Kg Roller Set, 130 Kg Roller Cover Set, Cover Support Piece, Top Rail End Cover Set, Bottom Rail Stopper Piece, Top Rail Stopper Piece, Bottom Mile Support Piece, Stay Arm Rail Connection Piece, Sash Tilt Piece, Top Mile Support Piece, Stay arm & Cover, Handle (Optional), Corner Transmission, Security Corner Transmission, Security Bottom-Lock Striker, Top Rail Connection Holder

PERIMETRIC GROOVE

PARALLEL SLIDING SYSTEMS

130K CLASSIC

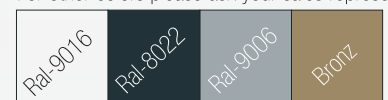


Technical Specifications

- Sash Width: 500mm - 1600*mm
- Sash Height.....: 885mm - 2400 mm
- Frame Width.....: Max. 3200 mm
- Sash Weight.....: Max. 130 Kg

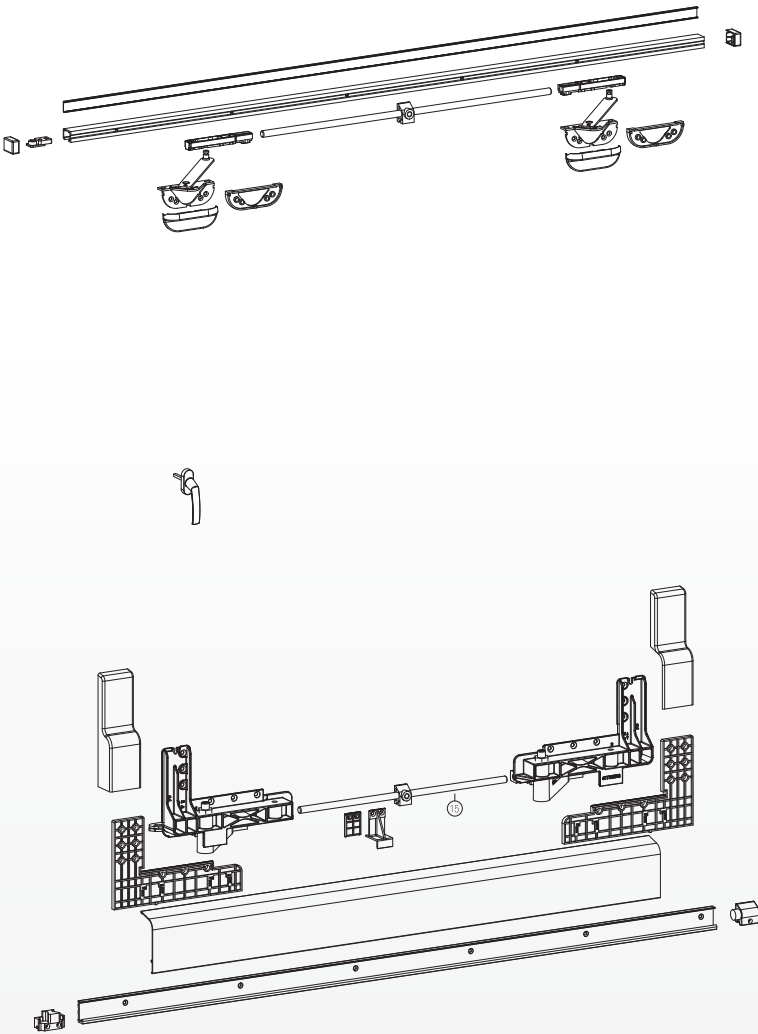
Color Options

- Our Standart Colors
- For other colors please ask your sales representative



Our Advantages

- Our system provides usage possibility of 30 Aks. Lockable CH Espagnolette.
- Carrying capacity for Sashes up to 130kg
- Time saving on fitting
- Can be operated both manual and semi-automatic



Description	Code	Group	Rail Size	Pcs.
Rail Set *	199.410.020.000	A200	2000	1 Set
	199.410.026.000	A260	2000	1 Set
	199.410.032.000	A320	2000	1 Set

* Content of Rail Set : 1 piece vertical and 2 pieces Connection Piece, Bottom Rail, Top Rail, Top Rail Closer Profile Bottom Roller Cover and Connection Mille.

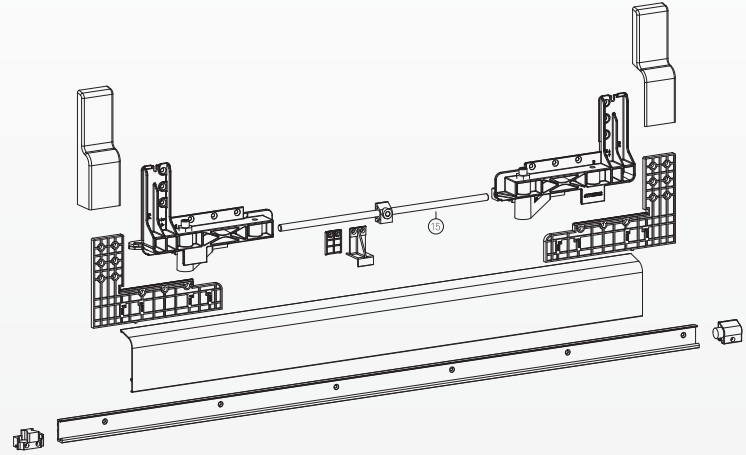
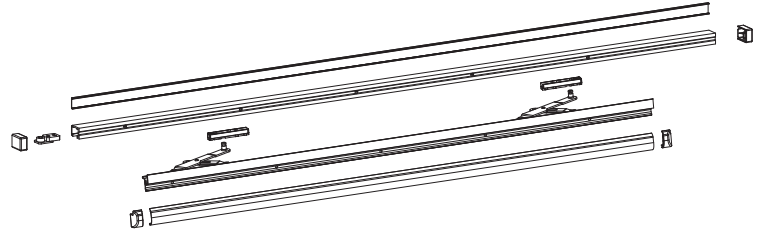
Description	Code	Group	Handle	Axis	Right / Left	Pcs.
Accessories Set *	199.431.200.000	130K	☑	9	Right	1 Set
	199.431.200.100	130K	☑	13	Right	1 Set
	199.431.300.000	130K	☐	9	Left	1 Set
	199.431.300.100	130K	☐	13	Left	1 Set

Content of Accessories Set: 130 Kg Roller Set, 130 Kg Roller Cover Set, Cover Support Piece, Top Rail End Cover Set, Bottom Rail Stopper Piece, Top Rail Stopper Piece, Bottom Mille Support Piece, Stay Arm Rail Connection Piece, Sash Tilt Piece, Top Mille Support Piece, Stayarm&Cover, Handle(Optional), Corner Transmission, Security Corner Transmission, Security Bottom Lock Striker, Top Rail Connection Holder

PERIMETRIC GROOVE

PARALLEL SLIDING SYSTEMS

130KL LUXURY CLASSIC



Technical Specifications

- Sash Width: 500mm - 1600*mm
- Sash Height.....: 885mm - 2400 mm
- Frame Width.....: Max. 3200 mm
- Sash Weight.....: Max. 130 Kg

Color Options

- Our Standart Colors
- For other colors please ask your sales representative



Our Advantages

- Our system provides usage possibility of 30 Aks. Lockable CH Espagnolette.
- Carrying capacity for Sashes up to 130kg
- Time saving on fitting
- Can be operated both manual and semi-automatic

Description	Code	Group	Rail Size	Pcs.
Rail Set *	199.410.020.100	A200	2000	1 Set
	199.410.026.100	A260	2000	1 Set
	199.410.032.100	A320	2000	1 Set

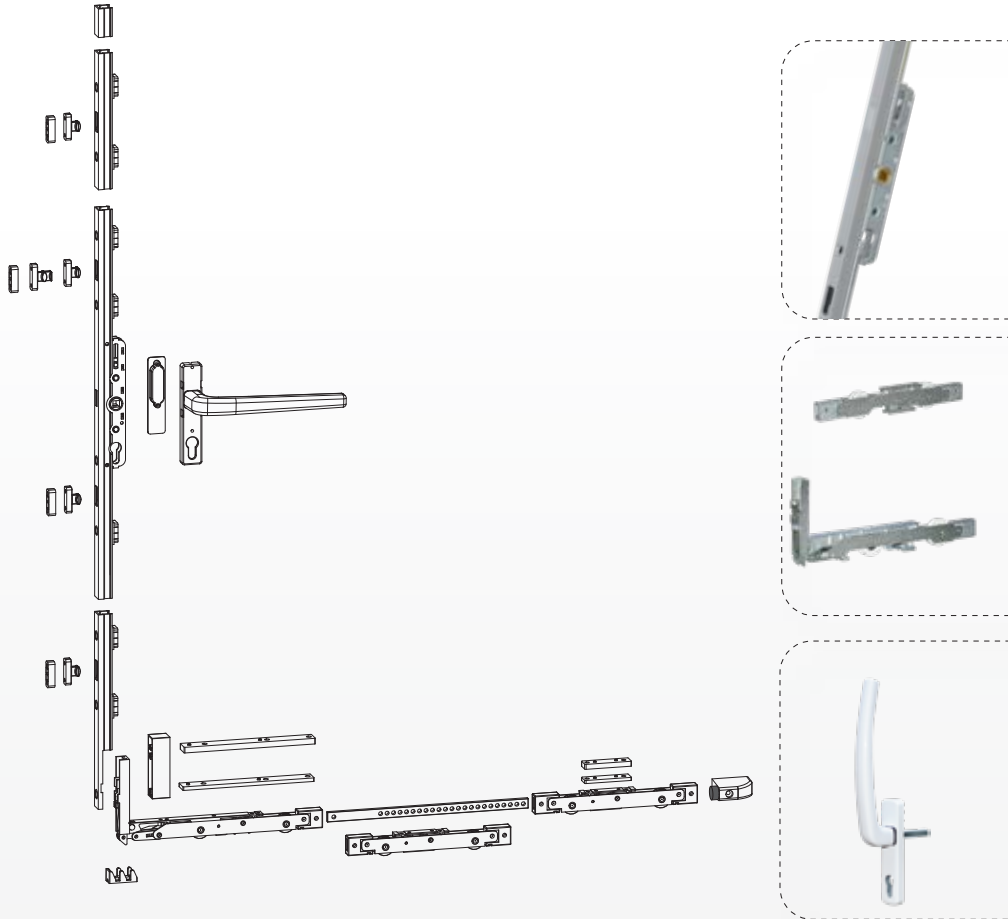
* Content of Rail Set : Alı Ray, Üst Ray, Üst Ray Kapatma Profili, Altı Araba Kapağı ve Bağlantı Mili içerir .

Description	Code	Group	Handle	Axis	Right / Left	Pcs.
Accessories Set *	199.432.200.000	130KL	☑	9	Right	1 Set
	199.432.200.100	130KL	☑	13	Right	1 Set
	199.432.300.000	130KL	☐	9	Left	1 Set
	199.432.300.100	130KL	☐	13	Left	1 Set

Content of Accessories Set 30 Kg Araba Takımı, 130 Kg Araba Kapak Takımı, Kapak Destek Elemanı, Üst Ray Uc Kapak Takımı, Altı Stoplama Elemanı, Üst Ray Stoplama Elemanı, Altı Ray Grubu Destek Elemanı, Makas Ray Bağlantı Elemanı, Kanat Devire Elemanı, Üst Mili Destek Elemanı, Makas ve Kapağı, Kol (Opsiyonel), Üst Bağlantı Mili Tutucusu, İçerir.

LIFT SLIDE SYSTEMS

LS - 200



Technical Specifications

- Sash Width: 650 mm - 3200 mm
- Sash Height.....: 1200 mm-3200 mm
- Sash Weight.....: max. 200 Kg
- Espagnolette Axis.....: 27,5 mm / 37,5mm
- Handle Position.....: Window: 400 mm
Door : 1010 mm

Color Options

- Our Standart Colors
- For other colors please ask your sales representative



Our Advantages

- There is two kind of espagnolette according to doors and windows.
- For the big size additional rollers are available
- Could be assembled with in short time and faultless
- It has a ventilation function with the ventilation striker

Description	27,5 mm	37,5 mm	Group	Long	Length	Usage Range	Pcs
Espagnolettes	140.127.180.000	140.137.180.000	GR 01	1800	400	1200-1800	1 Set
	140.127.210.000	140.137.210.000	GR 02	2100	1010	1801-2100	1 Set
	140.127.240.000	140.137.240.000	GR 03	2400	1010	2101-2400	1 Set
	140.127.270.000	140.137.270.000	GR 04	2700	1010	2401-2700	1 Set
Code							
Connecting Road	140.200.150.000		GR 01	1500		720-1500	1 Pc
	140.200.200.000		GR 02	2000		1501-2000	1 Pc
	140.200.250.000		GR 03	2500		2001-2500	1 Pc
	140.200.320.000		GR 04	3200		2501-3200	1 Pc
Handle Group	140.301.000.100		Handle/ Withouth Cylinder			Ral-9016 / Ral-8022	1 Set
	140.301.000.200		Handle / With Cylinder			Ral-9016 / Ral-8022	1 Set
	140.302.000.100		Double Handle/ with Cylinder/ Knob			Ral-9016 / Ral-8022	1 Set
	140.302.000.200		Double Handle/ with and withouth cylinder			Ral-9016 / Ral-8022	1 Set
200 Kg	140.401.000.001		Aluplast 70				1 Set
Accessories Set*	140.401.000.002		Aluplast HST 4000				1 Set
Contents	140.405.000.001		Deceuninck Monorial				1 Set
Bogie Front 200 Kg	140.408.000.001		Gealan 8000				1 Set
Bogie Back 200 Kg	140.412.000.001		Inotic Elit				1 Set
Corner Drive	140.420.000.001		Protine Premidor				1 Set
Dowel Pin	140.421.000.001		Rehau Brilliant				1 Set
Distance Block	140.421.000.002		Rehau Genec				1 Set
Distance Piece	140.421.000.003		Rehau S7 T2				1 Set
Bottom Guide	140.422.000.001		Salamander				1 Set
Locking Bolt	140.422.000.002		Schüco Corona CT 70				1 Set
Connection Road	140.424.000.001		Thyssen HST				1 Set
	140.424.000.002		Trocal S900				1 Set
	140.427.000.001		Veka Slide				1 Set
	140.427.000.002		Veka Softline				1 Set
	140.427.000.003		Veka Topline				1 Set
	140.428.000.001		Wymar 3000				1 Set
Additional Drive 200 Kg	140.920.000.000		L> 2700 (Optional)				1Pc

LIFT SLIDE SYSTEMS

LS - 300



Technical Specifications

- Sash Width: 650 mm - 3200 mm
- Sash Height.....: 1200 mm-3200 mm
- Sash Weight.....: max. 300 Kg
- Espagnolette Axis.....: 27,5 mm / 37,5mm
- Handle Position.....: Window: 400 mm
Door : 1010 mm

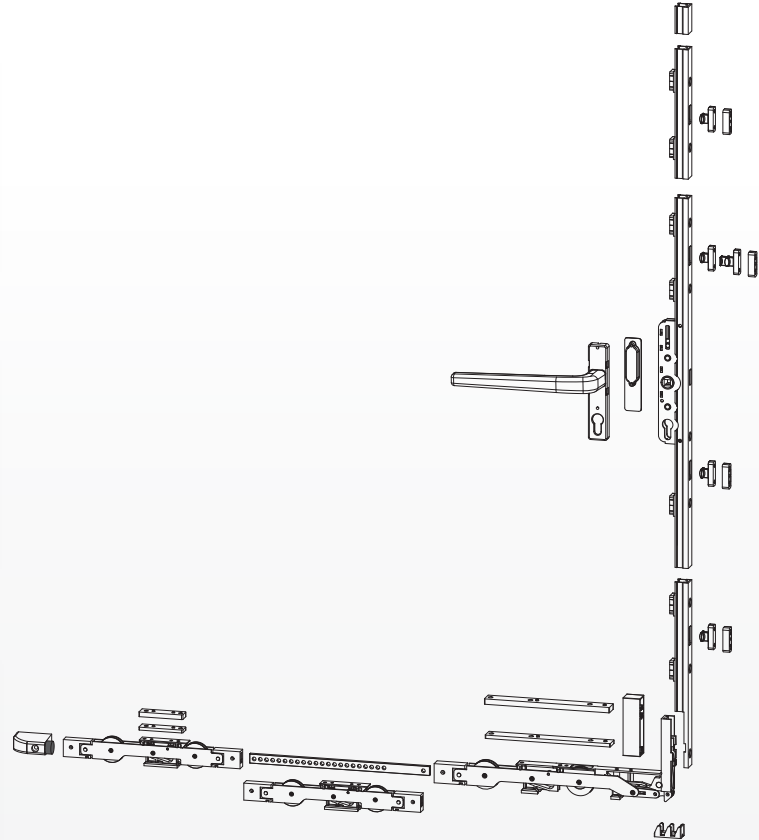
Color Options

- Our Standart Colors
- For other colors please ask your sales representative



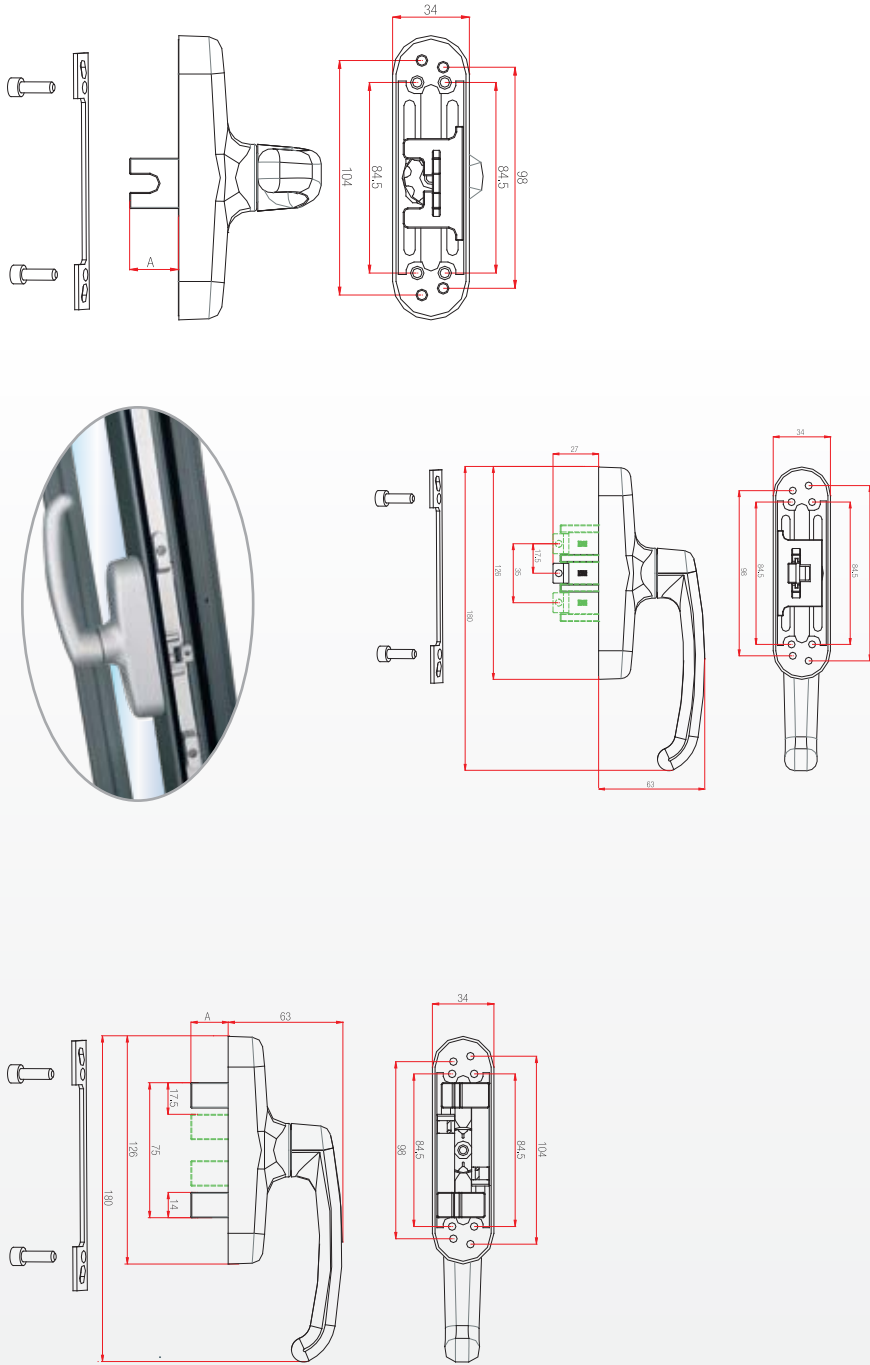
Our Advantages

- There is two kind of espagnolette according to doors and windows.
- For the big size additional rollers are available
- Could be assembled with in short time and faultless
- It has a ventilation function with the ventilation striker



Description	27,5 mm	37,5 mm	Group	Long	Length	Usage Range	Pcs
Espagnolettes	140.127.180.000	140.137.180.000	GR 01	1800	400	1200-1800	1 Set
	140.127.210.000	140.137.210.000	GR 02	2100	1010	1801-2100	1 Set
	140.127.240.000	140.137.240.000	GR 03	2400	1010	2101-2400	1 Set
	140.127.270.000	140.137.270.000	GR 04	2700	1010	2401-2700	1 Set
Connecting Road	140.200.150.000		GR 01	1500		720-1500	1 Adet
	140.200.200.000		GR 02	2000		1501-2000	1 Adet
	140.200.250.000		GR 03	2500		2001-2500	1 Adet
	140.200.320.000		GR 04	3200		2501-3200	1 Adet
Handle Group	140.301.000.100		Handle/Without Cylinder			Ral-9016 / Ral-8022	1 Set
	140.301.000.200		Handle / With Cylinder			Ral-9016 / Ral-8022	1 Set
	140.302.000.100		Double Handle/ with Cylinder/ Knob			Ral-9016 / Ral-8022	1 Set
	140.302.000.200		Double Handle/ with and without cylinder			Ral-9016 / Ral-8022	1 Set
300 Kg	140.501.000.001		Aluplast 70			1 Set	
Accessories Set*	140.501.000.002		Aluplast HST 4000			1 Set	
Contents	140.505.000.001		Deceuninck Monorial			1 Set	
Bogie Front 300 Kg	140.508.000.001		Gealan 8000			1 Set	
Bogie Back 300 Kg	140.512.000.001		Inotic EHT			1 Set	
Corner Drive	140.420.000.001		Profile Premierdor			1 Set	
Dowel Pin	140.521.000.001		Rehau Brilliant			1 Set	
Distance Block	140.521.000.002		Rehau Genec			1 Set	
Distance Piece	140.521.000.003		Rehau S712			1 Set	
Bottom Guide	140.522.000.001		Salamander			1 Set	
Locking Bolt	140.522.000.002		Schüco Corona CT.70			1 Set	
Connection Road	140.524.000.001		Thyssen HST			1 Set	
	140.524.000.002		Trocal S900			1 Set	
	140.527.000.001		Veka Slide			1 Set	
	140.527.000.002		Veka Softline			1 Set	
	140.527.000.003		Veka Topline			1 Set	
	140.528.000.001		Wymar 3000			1 Set	
Additional Drive 300 Kg	140.930.000.000		L> 2700 (Optional)			1 Adet	

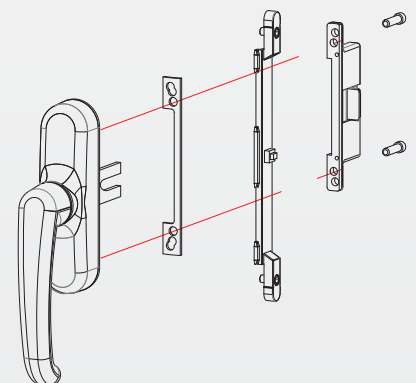
EURO GROOVE
WINDOWS HANDLE



Description	Code	Type	A	Pcs.
T&T / Turn-only	201.101.001.000	Standart	27mm	15 Pcs
Window Handle	240.102.002.000	Out Side	32mm	15 Pcs

Description	Code	Type	A	Pcs.
Tilt & Turn	240.100.001.000	Standart	21mm	15 Pcs
Window Handle	240.100.002.000	Out Side	27mm	15 Pcs

Description	Code	Type	A	Pcs.
Reversing / Turn-only	240.101.001.000	Standart	27mm	15 Pcs



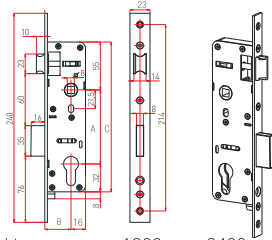
EURO / PERIMETRIC GROOVE

MORTISE DOOR LOCKS

AS - 260

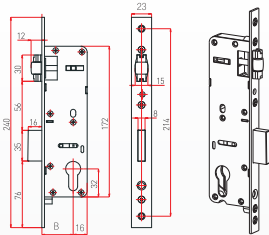


85 Axis Mortise Door Locks Technical Informations



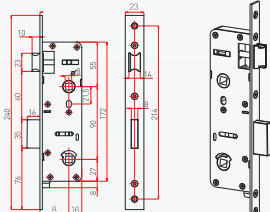
- Sash Height : 1800mm - 2400mm
- Lock Body : Plastic Body IronSheet Cover
- Operating of the Lock : Activated by Key
- Handle Position : 85mm
- Gearbox : 20mm - 25mm - 30mm - 35mm
40mm - 45mm

Mortise Locks with Roller Latch



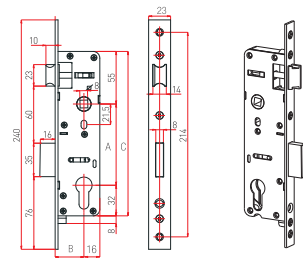
- Sash Height : 1800mm - 2400mm
- Lock Body : Plastic Body IronSheet Cover
- Operating of the Lock : Activated by Key
- Gearbox : 25mm - 30mm - 35mm - 40mm

90 Axis Bathroom / WC Mortise Locks



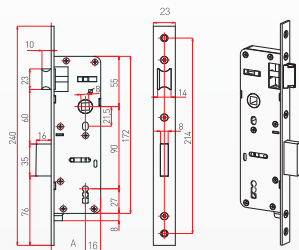
- Sash Height : 1800mm - 2400mm
- Lock Body : Plastic Body IronSheet Cover
- Operating of the Lock : Activated by Handle
- Handle Position : 90mm
- Gearbox : 20mm - 25mm - 30mm - 35mm
40mm - 45mm

92 Axis Mortise Door Locks Technical Informations

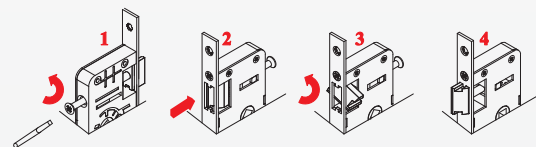


- Sash Height : 1800mm - 2400mm
- Lock Body : Plastic Body IronSheet Cover
- Operating of the Lock : Activated by Key
- Handle Position : 92mm
- Gearbox : 20mm - 25mm - 30mm - 35mm

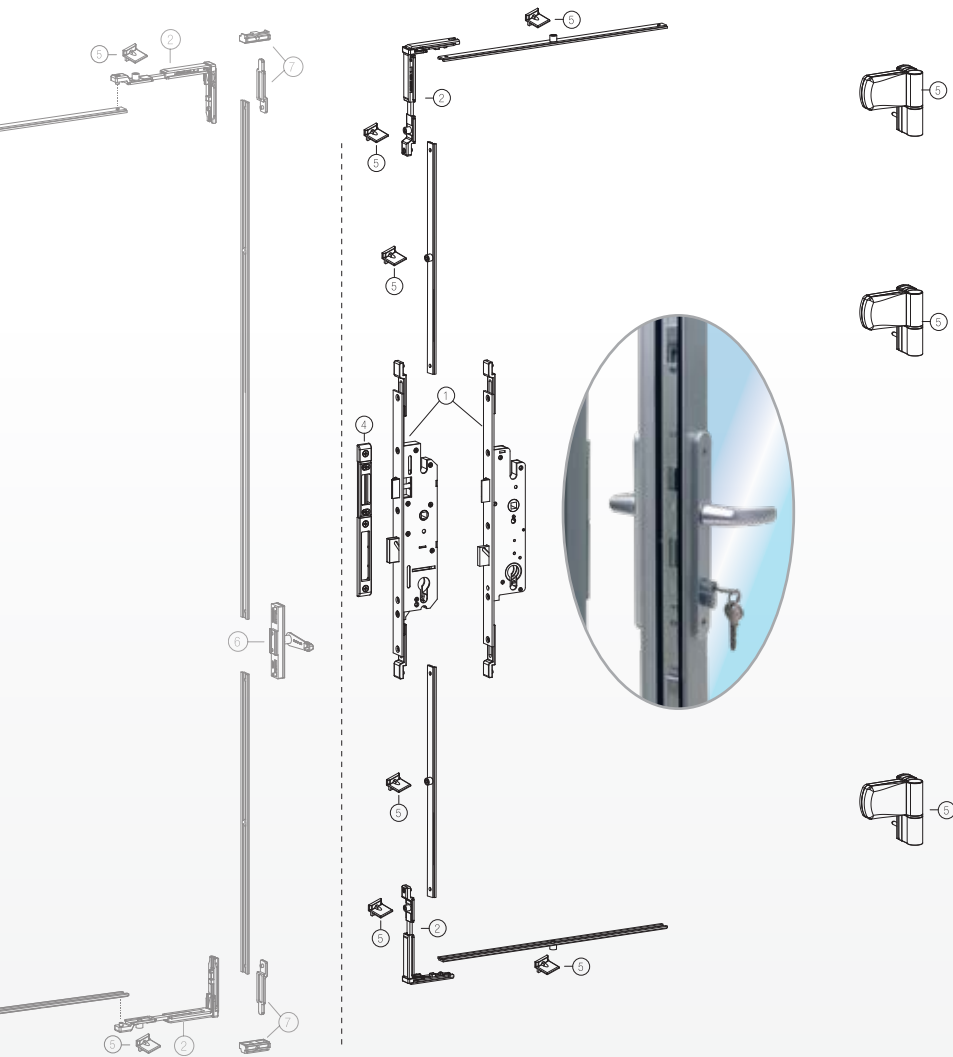
90 Axis Mortise Locks for Interior Rooms



- Sash Height : 1800mm - 2400mm
- Lock Body : Plastic Body IronSheet Cover
- Operating of the Lock : Activated by Key
- Handle Position : 90mm
- Gearbox : 20mm - 25mm - 30mm - 35mm
40mm - 45mm



Description	Code	Handle Centre	Handle Axis	Bolt Size	Bolt Width	Body Size	Body Type	Pcs.
85 ax. Mortise Door Locks With Cylinder	263.185.020.020	85mm	20mm	240mm	23mm	172mm	Plastic Body IronSheet Cover	40 Pcs.
	263.185.025.020	85mm	25mm	240mm	23mm	172mm	Plastic Body IronSheet Cover	40 Pcs.
	263.185.030.020	85mm	30mm	240mm	23mm	172mm	Plastic Body IronSheet Cover	40 Pcs.
	263.185.035.020	85mm	35mm	240mm	23mm	172mm	Plastic Body IronSheet Cover	40 Pcs.
	263.185.040.020	85mm	40mm	240mm	23mm	172mm	Plastic Body IronSheet Cover	40 Pcs.
263.185.045.020	85mm	45mm	240mm	23mm	172mm	Plastic Body IronSheet Cover	40 Pcs.	
92 ax. Mortise Door Locks With Cylinder	263.192.025.020	92mm	25mm	240mm	23mm	179mm	Plastic Body IronSheet Cover	40 Pcs.
	263.192.030.020	92mm	30mm	240mm	23mm	179mm	Plastic Body IronSheet Cover	40 Pcs.
	263.192.035.020	92mm	35mm	240mm	23mm	179mm	Plastic Body IronSheet Cover	40 Pcs.
	263.192.040.020	92mm	40mm	240mm	23mm	179mm	Plastic Body IronSheet Cover	40 Pcs.
Mortise Door Locks With Cylinder & Roller Latch	263.100.020.020	-	20mm	240mm	23mm	172mm	Plastic Body IronSheet Cover	40 Pcs.
	263.100.025.020	-	25mm	240mm	23mm	172mm	Plastic Body IronSheet Cover	40 Pcs.
	263.100.030.020	-	30mm	240mm	23mm	172mm	Plastic Body IronSheet Cover	40 Pcs.
	263.100.035.020	-	35mm	240mm	23mm	172mm	Plastic Body IronSheet Cover	40 Pcs.
90 ax. Wc/Bath Mortise Door Locks	261.190.020.020	90mm	20mm	240mm	23mm	172mm	Plastic Body IronSheet Cover	40 Pcs.
	261.190.025.020	90mm	25mm	240mm	23mm	172mm	Plastic Body IronSheet Cover	40 Pcs.
	261.190.030.020	90mm	30mm	240mm	23mm	172mm	Plastic Body IronSheet Cover	40 Pcs.
	261.190.035.020	90mm	35mm	240mm	23mm	172mm	Plastic Body IronSheet Cover	40 Pcs.
	261.190.040.020	90mm	40mm	240mm	23mm	172mm	Plastic Body IronSheet Cover	40 Pcs.
	261.190.045.020	90mm	45mm	240mm	23mm	172mm	Plastic Body IronSheet Cover	40 Pcs.
90 ax. Room Mortise Door Locks	262.190.020.020	90mm	20mm	240mm	23mm	172mm	Plastic Body IronSheet Cover	40 Pcs.
	262.190.025.020	90mm	25mm	240mm	23mm	172mm	Plastic Body IronSheet Cover	40 Pcs.
	262.190.030.020	90mm	30mm	240mm	23mm	172mm	Plastic Body IronSheet Cover	40 Pcs.
	262.190.035.020	90mm	35mm	240mm	23mm	172mm	Plastic Body IronSheet Cover	40 Pcs.
	262.190.040.020	90mm	40mm	240mm	23mm	172mm	Plastic Body IronSheet Cover	40 Pcs.
	262.190.045.020	90mm	45mm	240mm	23mm	172mm	Plastic Body IronSheet Cover	40 Pcs.



Multipoint Door Locks
Activated by Handle

EURO GROOVE
MULTIPOINT DOOR LOCK SYSTEMS

AS-164 / AS-174



AS-164 Technical Informations
Multipoint Lock Activated by the Key

- Sash Height: 1600mm - 2400mm
- Lock Body: Zamac Body IronSheet Cover
- Body operating.....: Activated by Handle
- Handle Position.....: 92mm
- Gearbox: 35mm

AS-174 Technical Informations
Multipoint Locks Activated by Handle

- Sash Height : 1600mm - 2400mm
- Lock Body : Plastic Body IronSheet Cover
- Operating : Activated by Handle
- Handle Position : 85mm / 92mm
- Gearbox : 25mm - 28mm - 35mm

Description	Code	Group	Handle Possition	Gearbox	Lock Body Type	Pcs.
Multipoint Door Locks Activated by Handle	174.000.385.125	GR 01	85mm	25mm	Plastic Body IronSheet Cover	1 Pc
	174.000.385.128	GR 01	85mm	28mm	Plastic Body IronSheet Cover	1 Pc
	174.000.385.135	GR 01	85mm	35mm	Plastic Body IronSheet Cover	1 Pc
	174.000.392.125	GR 02	92mm	25mm	Plastic Body IronSheet Cover	1 Pc
	174.000.392.128	GR 02	92mm	28mm	Plastic Body IronSheet Cover	1 Pc
	174.000.392.135	GR 02	92mm	35mm	Plastic Body IronSheet Cover	1 Pc

Description	Code	Group	Handle Possition	Gearbox	Lock Body Type	Pcs.
Multipoint Door Locks Activated by Key	164.000.392.135	GR 01	92mm	35mm	Zamac Body IronSheet Cover	1 Pc
	166.010.392.135	GR 02	Roller Latch	35mm	Zamac Body IronSheet Cover	1 Pc

PERIMETRIC GROOVE

MULTIPOINT DOOR LOCK SYSTEMS

AS-165 / AS-175

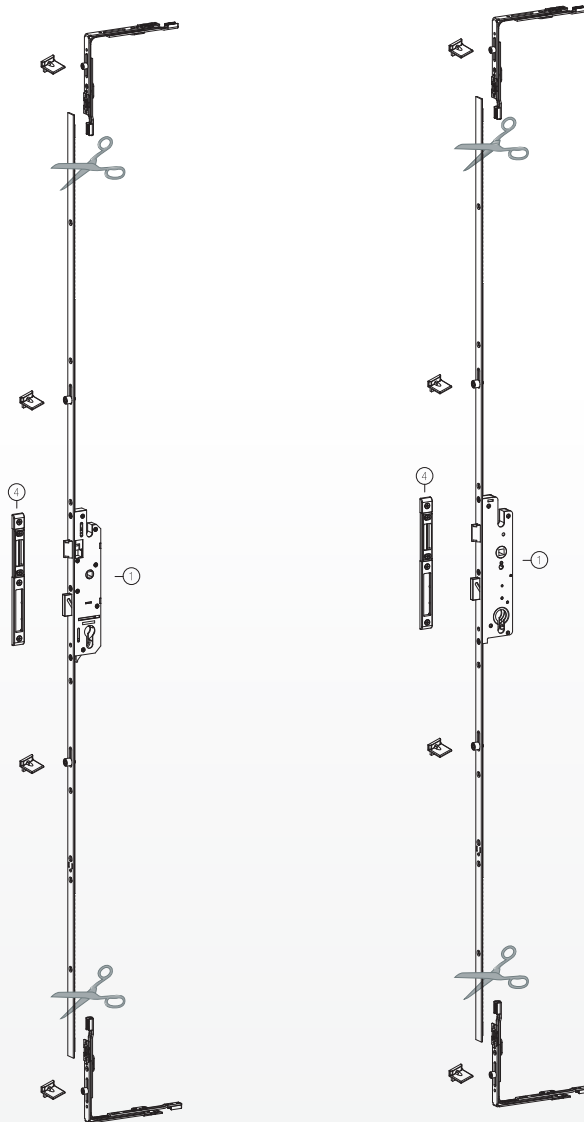


AS-165 Technical Informations Multipoint Lock Activated by the Key

- Sash Height : 1600mm - 2400mm
- Body Type: Zamac Body Ironsheet Cover
- Working Type.....: Key operated
- Handle Centre.....: 92mm
- Axis: 35mm

AS-175 Technical Informations Multipoint Locks Activated by Handle

- Sash Height : 1600mm - 2400mm
- Body Type: Plastic Body-IronSheet cover
- Working Type.: Handle operated
- Handle Centre.....: 85mm / 92mm
- Axis: 25mm - 28mm - 35mm



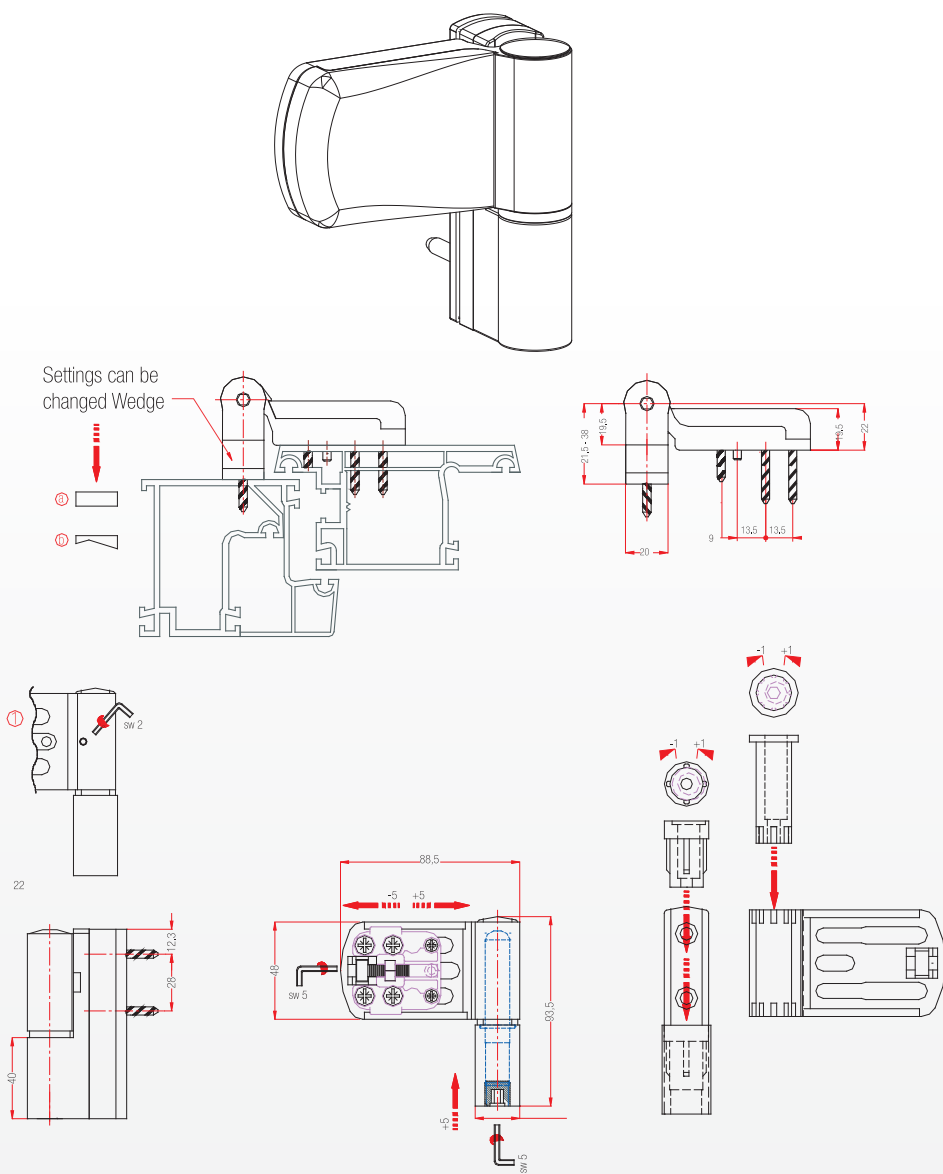
Description	Code	Group	Handle Possition	Gearbox	Lock Body Type	Pcs
Multipoint Door Locks Activated by Key	164.000.392.135	GR 01	92mm	35mm	Zamac Body Sheet Iron Cover	10 Pcs
	166.010.392.135	GR 02	Roller Latch	35mm	Zamac Body Sheet Iron Cover	10 Pcs

Description	Code	Group	Handle Possition	Gearbox	Lock Body Type	Pcs.
Multipoint Door Locks Activated by Handle	174.000.385.125	GR 01	85mm	25mm	Plastic Body IronSheet Cover	10 Pcs
	174.000.385.128	GR 01	85mm	28mm	Plastic Body IronSheet Cover	10 Pcs
	174.000.385.135	GR 01	85mm	35mm	Plastic Body IronSheet Cover	10 Pcs
	174.000.392.125	GR 02	92mm	25mm	Plastic Body IronSheet Cover	10 Pcs
	174.000.392.128	GR 02	92mm	28mm	Plastic Body IronSheet Cover	10 Pcs
	174.000.392.135	GR 02	92mm	35mm	Plastic Body IronSheet Cover	10 Pcs

PERIMETRIC GROOVE

ADJUSTABLE DOOR HINGES (3D)

AS - 130

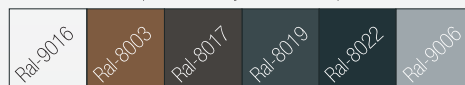


3D Adjustable Hinges

- Carrying Capacity^{max}: Max. 90 kg
- Raw material : Zamac
- Surface Treatment : Powder Painting
- Pins : (Optional)
- Adjusting Position: Dimension (3D) Adjustable

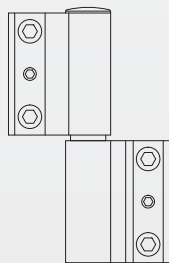
Color Options

- Our Standart Colors
- For other colors please ask your sales representative



Description	Code	Carrying Capacity	Color	Pcs.
Adjustable Door Hinge 3D	130.085.002.000	90 Kg	Ral-9016	24 Pcs.
			Ral-8003	24 Pcs.
			Ral-8017	24 Pcs.
			Ral-8019	24 Pcs.
			Ral-8022	24 Pcs.
			Ral-9006	24 Pcs.

Description	Code	Color
Turn Only Hinge	413.131.000.0008	Ral-9016
		Ral-8003
		Ral-8017
		Ral-8019
		Ral-8022
		Ral-9006



EURO / PERIMETRIC GROOVE

FRICITION STAYS

AS - 499



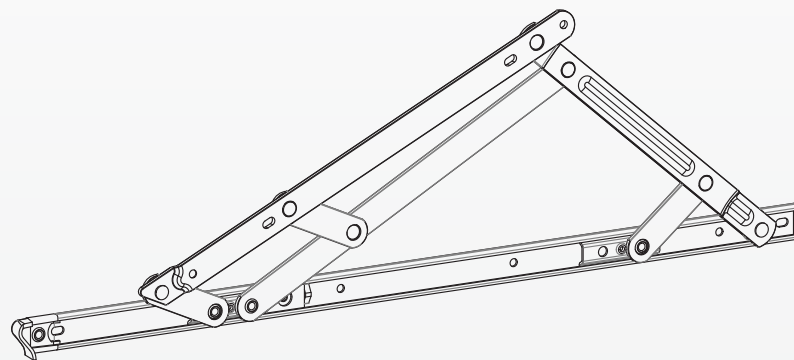
Outward Opening Friction Stays

It is usefull for aluminium curtain wall systems. Friction stays are produced with stanless steel raw material.

For outward opening windows the friction stay is installed on the frame. Sash and window could be open according to friction hinge angle.

Friction stays provide sash movement for the outward windows.

Friction Stays can be change according to weight and size of the sash.

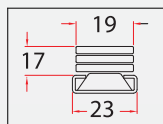


Technical Informations of Friction Stays

- Sash Width: 1200mm-1900mm
- Sash Height: 1200mm-2000mm
- Carrying Capacity^{max}: Max. 82-125 kg
- Raw Material: Stainless Steel
- Pins: Stainless Steel

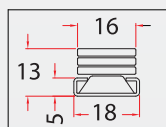
EURO

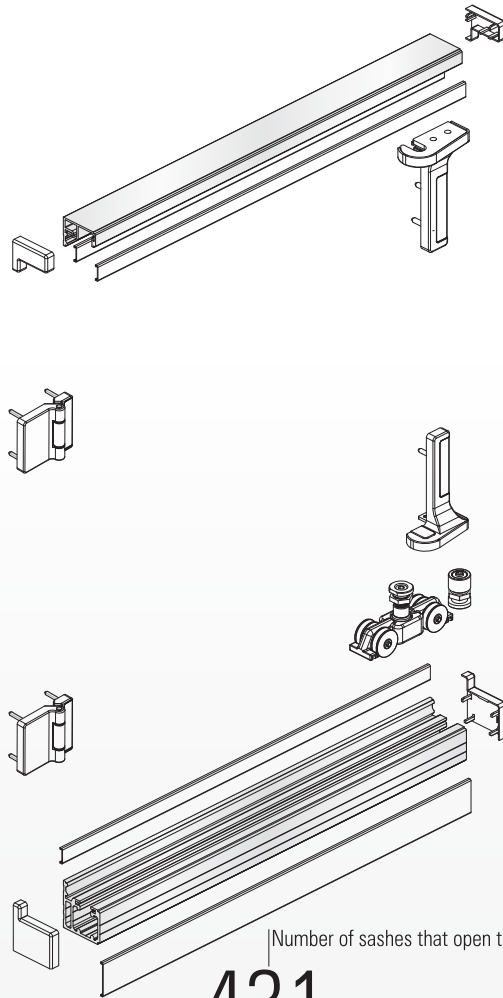
Description	Code	Friction Stay Size	Max. Heigh	Max. Width	Max. Capacity	Angle	Pcs.
Friction Stays	499.001.001.003	16" (400mm)	1200mm	1200mm	82 Kg	25°/30° ±2°	15 Set
	499.001.001.037	18" (450mm)	1400mm	1500mm	100 Kg	25°-30° ±2°	15 Set
	499.001.001.053	20" (500mm)	1600mm	1600mm	108 Kg	20°-25° ±2°	15 Set
	499.001.001.004	22" (550mm)	1800mm	1800mm	110 Kg	20°-25° ±2°	15 Set
	499.001.001.054	24" (600mm)	1800mm	1800mm	120 Kg	15°-20° ±2°	15 Set
	499.001.001.005	26" (650mm)	1900mm	2000mm	125 Kg	15°-20° ±2°	15 Set



PERIMETRIC

Description	Code	Friction Stay Size	Max. Heigh	Max. Width	Max. Capacity	Angle	Pcs.
Friction Stays	499.001.001.027	8" (200mm)	350mm	1200mm	12 Kg	60°	15 Set
	499.001.001.028	10" (250mm)	400mm	1200mm	16 Kg	65°	15 Set
	499.001.001.029	12" (300mm)	550mm	1200mm	20 Kg	60°	15 Set
	499.001.001.030	16" (400mm)	750mm	1200mm	21 Kg	60°	15 Set
	499.001.001.031	20" (500mm)	1000mm	1000mm	24 Kg	52°	15 Set
	499.001.001.032	24" (600mm)	1200mm	1200mm	35 Kg	38°	15 Set





431

Number of sashes that open to the left

Total number of sashes

Number of sashes that open to the right

Sample order for schema 431

TECHNICAL PICTURE	CODE	PART NAME	LENGHT /AXE	COLOUR VARIANT			FOLDING SCHEMA- MIN. QUANTITY										
				WHITE RAL-9016	BLACK RAL-8022	SILVER RAL-9006	321	330	431	532	541	550	633	651	743	761	770
	141.001.001.001	Bogie set					1	1	1	2	2	2	2	2	3	3	3
	141.002.001.001	Support bracket Accessories (upvc&timber)		☑	☑	☑	1	1	1	2	2	2	2	2	3	3	3
	141.003.003.001	Folding 3 m Track set	1 - 3000				1	1	1	1	1	1	1	1	1	1	1
	141.003.004.001	Folding 4 m Track set	3001 - 4000	☑	☑	☑	1	1	1	1	1	1	1	1	1	1	1
	141.003.005.001	Folding 5 m Track set	4001 - 5000				1	1	1	1	1	1	1	1	1	1	1
	141.003.006.001	Folding 6 m Track set	5001 - 6000				1	1	1	1	1	1	1	1	1	1	1
	141.004.001.001	Set Sash Retaining Device		☑	☑	☑	1	2	2	3	2	2	4	2	4	2	2
	141.005.001.001 141.005.003.001 141.005.004.001	Folding Hinge Set Folding Hinge Set Folding Hinge Set	20/40 20/50 30/50	☑	☑	☑	3	6	6	9	9	12	12	12	15	15	18

Accessories

	141.006.001.001	Folding system Hinge Jig															
	141.007.001.001	Folding system Support Bracket Jig															
	141.008.001.001	Packers frame hinge-bearing	16mm														
	141.008.002.001	Packers frame hinge-bearing	17mm														
	141.008.003.001	Packers frame hinge-bearing	18mm	☑	☑	☑											
	141.008.004.001	Packers frame hinge-bearing	19mm														
	141.009.001.001	Packers support bracket (for aluminium)	8mm	☑	☑	☑	2	2	2	4	4	4	4	4	6	6	6

EURO / PERIMETRIC GROOVE

Folding System

140A



Fornax Folding System Specifications

- Concealed central locking system for one-hand-operation
- Optional top or bottom running door elements
- Inward or outward opening
- Silver and Black anodised roller tracks and guide tracks
- Coloured cover strips
- Powder-coated hinges and support brackets

- Tilt&Turn or Turn-Only sash as the access sash
- Retro-adjustable components
- Corrosion resistance 480 hour
- Tested according to DIN EN 13126-15 standart
- Aluminium track has brush pile seal

Fornax security components

Technical Specification

- Sash rebate width SRW: 450 mm – max. 1200 mm
- Sash rebate width SRW: 450 mm – max. 900 mm (folding sash)
- Sash rebate height SRH: 600 mm – max. 2400 mm
- Sash weight S.kg: max. 100 kg (for bottom-running version)
- Sash weight S.kg: max. 80 kg (for top-running version)
- Roller track length: max. 6m

Color Options

- Our Standart Colors for other colors please ask your sales representative

Ral-9016

Ral-8022

Ral-9006

Yelken Kalıp Pencere Kapı Aksesuarları
ve Metal Sanayi Tic. A.S.

Kırac Battalgazi Mah. Ahmet Hasim Cad. No:27
Esenyurt - İstanbul - TURKEY

Phone : +90 212 771 01 01 PBX

Fax : +90 212 771 01 10

sales@fornax.com.tr

www.fornax.com.tr

