



PVC Window & Door Hardwares

www.fornax.com.tr

Warning

All information contained in this catalog has been tried to keep up to date since the date of publication. Fornax is not responsible for the technical and legislative changes and product changes that may occur due to timeout that made after the date of publication. Errors that may arise in the case of printing and typesetting, the records in Fornax system will be considered.

All copying and distribution rights reserved.

Catalog printing date : 01.03.2020

**Yelken Kalıp Pencere Kapı Aksesuarları
ve Metal Sanayi Tic. A.S.**

Kırac Battalgazi Mah. Ahmet Hasim Cad. No: 27
Esenyurt - İstanbul - TURKEY

Phone : +90 212 771 01 01 PBX

Fax : +90 212 771 01 10

sales@fornax.com.tr

www.fornax.com.tr



Fornax Pvc
Yelken Kalıp Pencere Kapı
Aks. ve Metal San. Tic. A.S.

50 years experience

Our story started in 1969 with our founder Mr. Süleyman YELKEN.

In the beginning years of our foundation; we have entered the industry with processing metal sheet.

Our company had adopted the principle of manufacturing at high standards and had been a sub-industry supplier to the world's giant brands in the 80's.

During the passing years we have strengthened our foundation with know-how and experience; and in 1990 we have started to be a competitive supplier in PVC window and door accessories.

Thanks to our mentality that consists of continuous progress; our journey which started with a single person; has lead us to becoming the leader company in the industry. During this period our company has continued its planned growth and development investments.

Following the 90's our company has doubled its investments in R&D and progress in such a short period of 10 years in order to increase its range of products to meet the demands of the market; and has achieved the capacity to produce all the hardware that the PVC door and window industry can require.

This period of progress has concluded in adding systems such as tilt & turn and double sash systems, door locking hardware, fastener equipment and door and window handles to our portfolio. We have also incorporated domestic and international quality certificates such as TSE, ISO-9001, LNE, RAL and GOST-R in order to register our quality.

Our company is continuing to invest in automation technologies; that is the vital necessity of our age. Our high quality production and principle of customer satisfaction has helped us in becoming a leader company in the world market.





Fornax Pvc Quality Certificates

Quality and Environmental Policy

Yelken Kalıp Pencere Kapı Aks. ve Metal Sanayi Tic. A.Ş. guarantees to fulfill the requirements of the quality standards ISO 9001:2008 and to provide quality products and services within this scope.

The company also certifies that it has established and is implementing a management system in accordance with the Quality management System standards.

The company sees environment protection as an inseparable piece as its institutional activities and shapes all its products and services in compliance with the protection of existing resources and the ecological balance.

WARRANTY CERTIFICATE

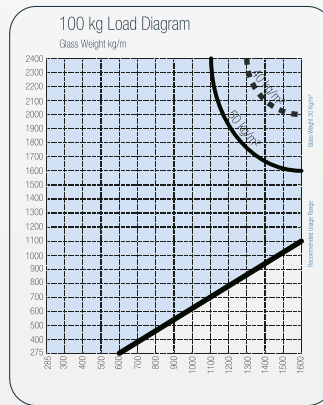
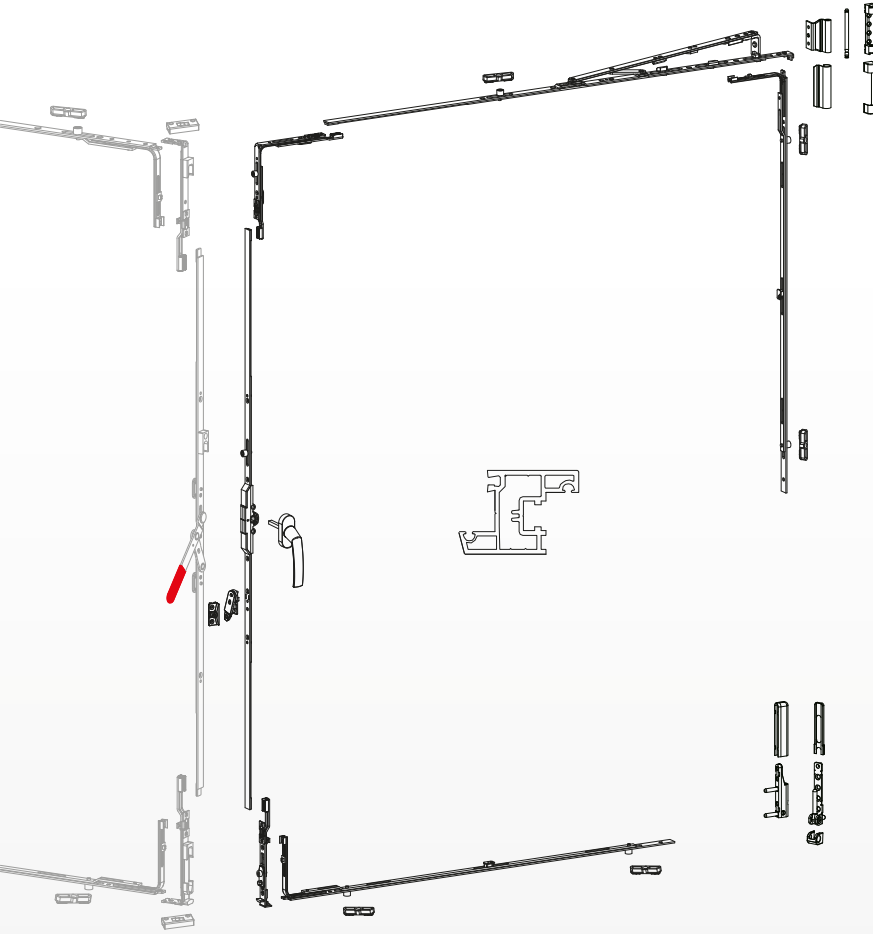


WARRANTY CERTIFICATE

THIS IS TO CERTIFY THAT WE YELKEN KALIP WARRANTY
OUR PRODUCT AGAINST MANUFACTURING DEFECTS FOR A MINIMUM
PERIOD OF 10 YEARS. OUR WARRANTY WILL BE VOID IF THE PRODUCTS ARE MISUSED,
IMPROPERLY ASSEMBLED OR DAMAGED IN ANYWAY.

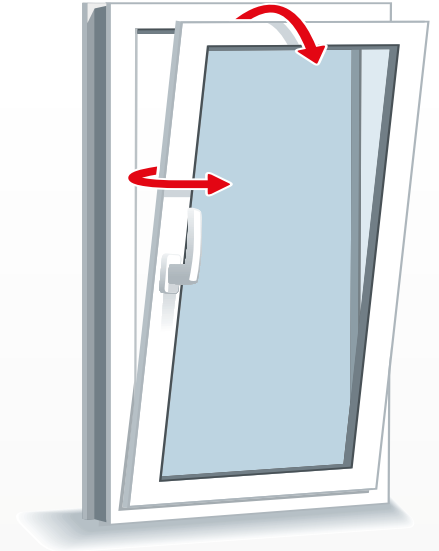
10 YEAR

Yelken Kalıp Pencere - Kapı
Aksesuarları ve Metal San. Tic. A.Ş.
Kağıtlıca Mahallesi Ahmet Hasem
Caddesi No : 27
Esenyurt / İSTANBUL - TÜRKİYE
Phone +90 212 771 01 01
Fax +90 212 771 01 15
sales@fornax.com.tr
www.fornax.com.tr



■ Please contact your sales representative for your demands.

PVC
TILT & TURN HARDWARES
PTS-185



Technical Specifications

- Sash Width.....: 400mm - 1600*mm
- Sash Height.....: 480mm - 2400 mm
- Sash Weight.....: Max. 100 Kg

Color Options

- Our Standart Colors
For other colors please ask your sales representative



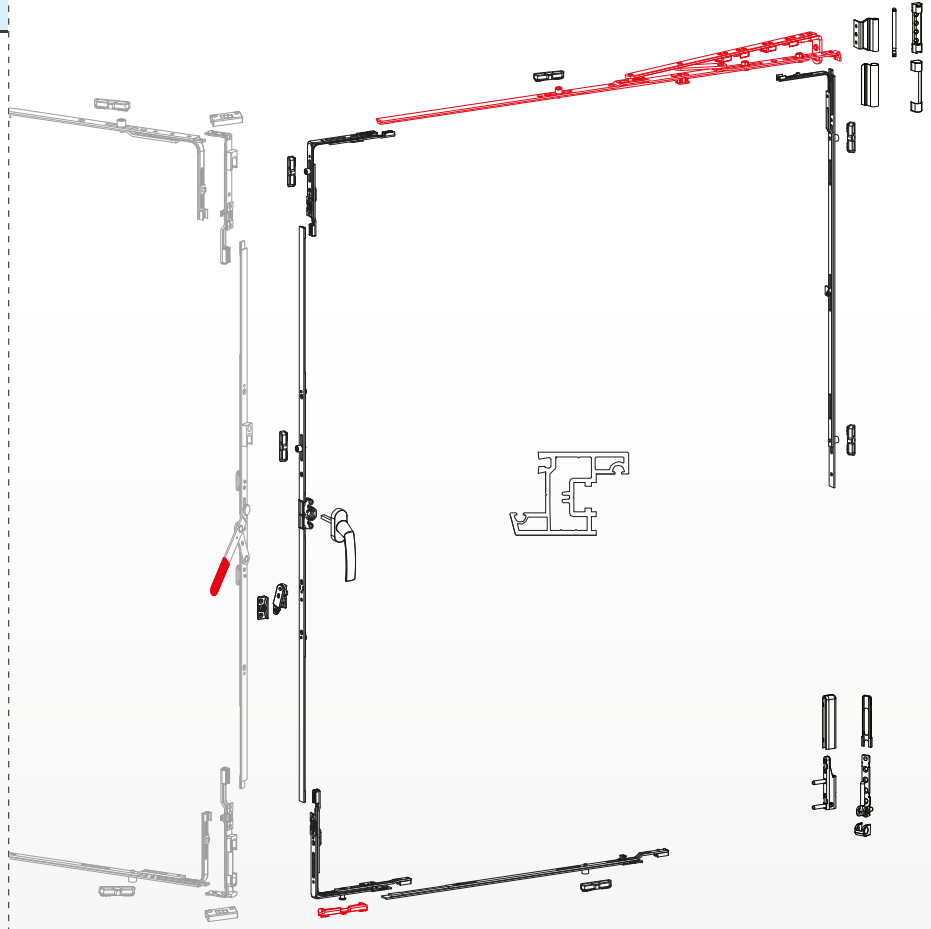
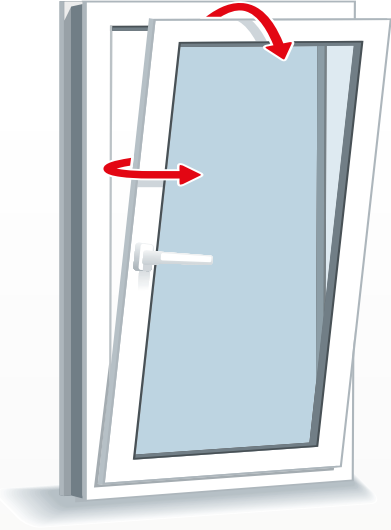
Our Advantages

- Our system is suitable for Fixed Handle (FH) application.
- Carrying capacity is ideally suitable for tilt & turn, turn only and tilt only windows up to 100 kg. of sashes
- Saves time in installation.
- Our system has two type of hinge options including clipped and corner connection.
- Micro Ventilated Corner Transmission is available in our product portfolio.

PVC

TILT & TURN HARDWARES

TILT FIRST



Technical Specifications

- Sash Width.....: 400mm - 1600*mm
- Sash Height.....: 480mm - 2400 mm
- Sash Weight.....: Max. 100 Kg

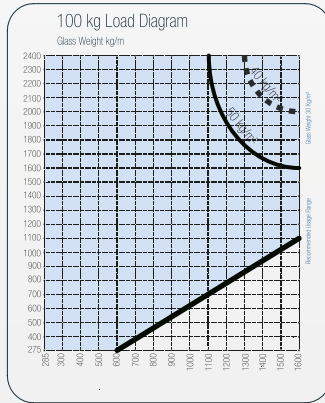
Color Options

- Our Standart Colors
For other colors please ask your sales representative

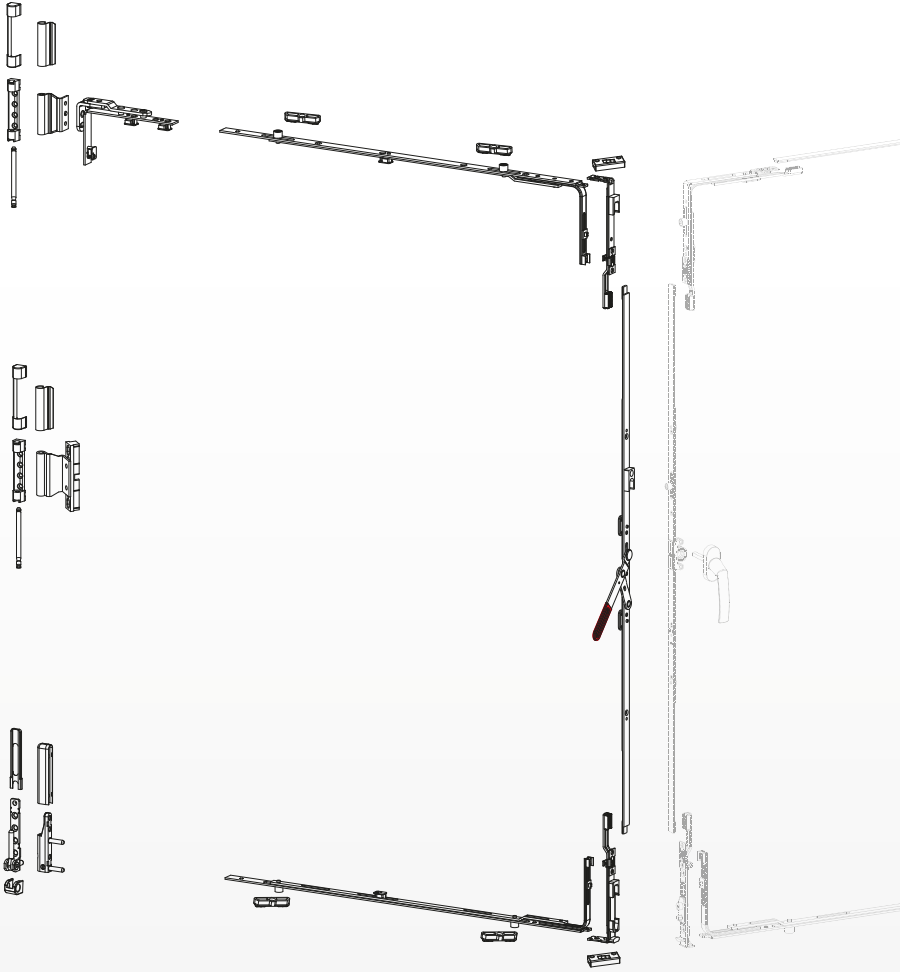


Our Advantages

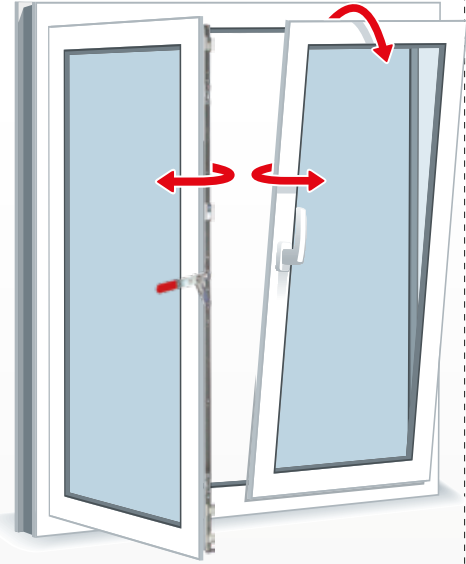
- Our system is suitable for Fixed Handle (FH) application.
- Carrying capacity is ideally suitable for tilt & turn, turn only and tilt only windows up to 100 kg. of sashes
- Saves time in installation.
- Our system has two type of hinge options including clipped and corner connection.
- Micro Ventilated Corner Transmission is available in our product portfolio.



- Please contact your sales representative for your demands.



PVC
TILT & TURN / DOUBLE SASH
PTS-188



Technical Specifications

- Sash Width.....: 400mm - 1600*mm
- Sash Height.....: 480mm - 2400 mm
- Sash Weight.....: Max. 100 Kg

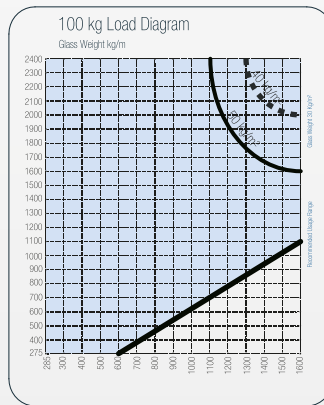
Color Options

- Our Standart Colors
For other colors please ask your sales representative



Our Advantages

- Our system is suitable for Fixed Handle (FH) application.
- Carrying capacity is ideally suitable for tilt & turn, turn only and tilt only windows up to 100 kg. of sashes
- Saves time in installation.
- Our system has two type of hinge options including clipped and corner connection.
- Micro Ventilated Corner Transmission is available in our product portfolio.

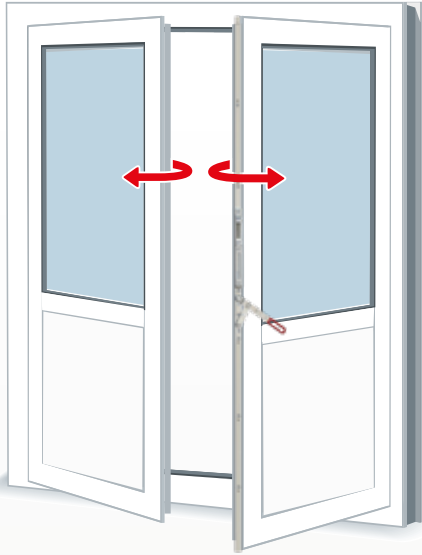


- Please contact your sales representative for your demands.

PVC

DOUBLE SASH FOR DOOR

PTS-188

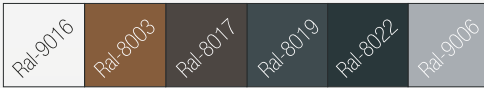


Technical Specifications

- Sash Width.....: 400mm - 1600*mm
- Sash Height.....: 480mm - 2400 mm
- Sash Weight.....: Max. 100 Kg

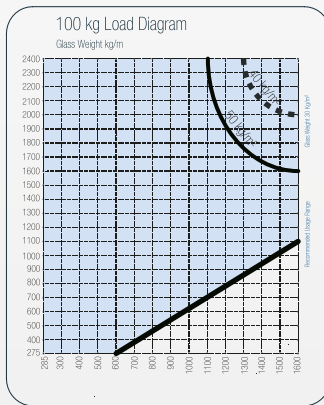
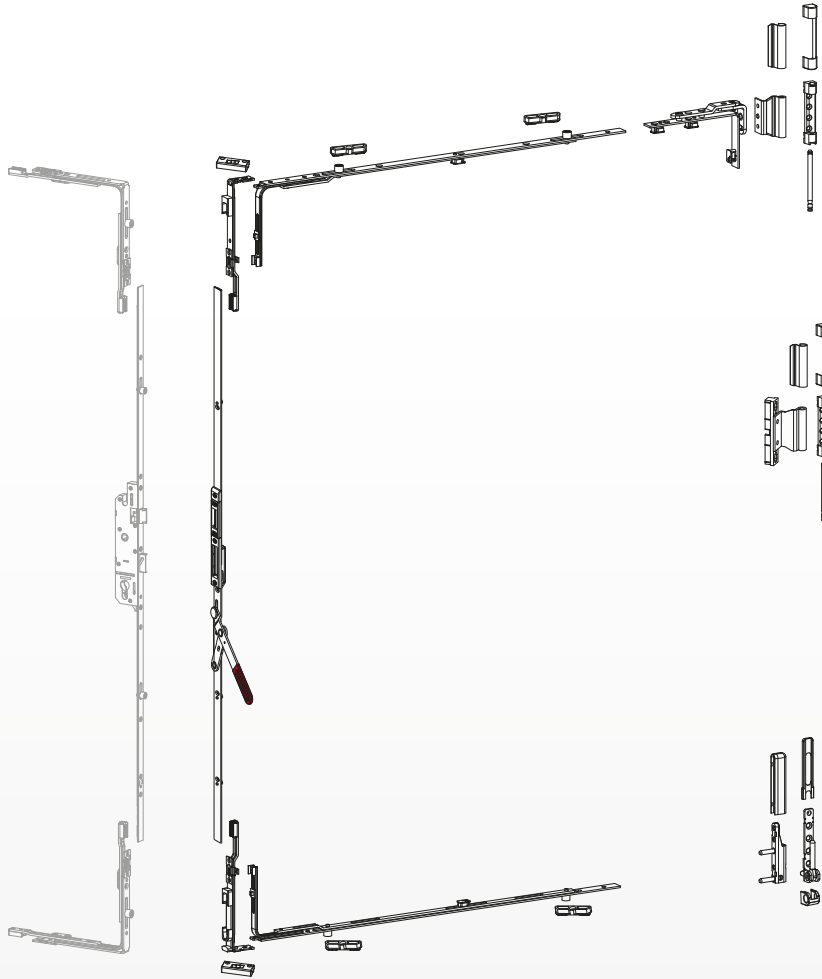
Color Options

- Our Standart Colors
- For other colors please ask your sales representative

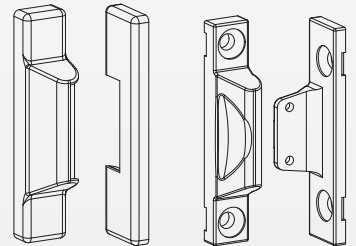


Our Advantages

- Our system is suitable for Fixed Handle (FH) application.
- Carrying capacity is ideally suitable for tilt & turn, turn only and tilt only windows up to 100 kg. of sashes
- Saves time in installation.
- Our system has two type of hinge options including clipped and corner connection.
- Micro Ventilated Corner Transmission is available in our product portfolio.



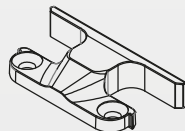
9-20 - 11,8
10-20 =
13-20 - 15,9
14-20 -
13-22 -



Covers For Central Hinge's Body

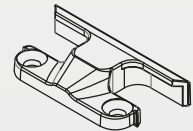
Central Hinge's Body

- Please contact your sales representative for your demands.



189165001000

Eccentric Pin Striker



189165001100

Eccentric Pin Striker

PVC

OUTWARDING FRICTION STAY

AS - 499



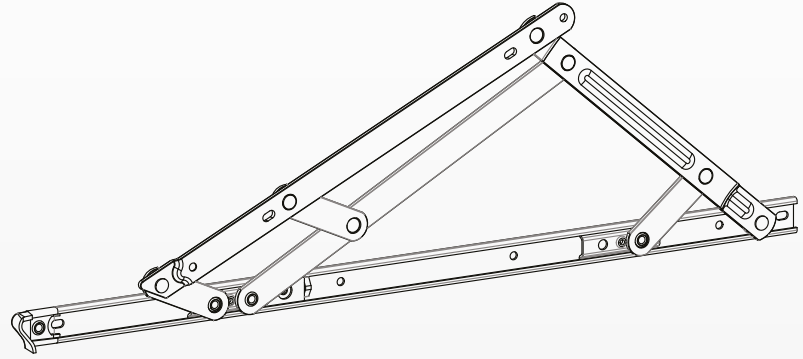
Curtain Wall

The item is used for outward opening PVC windows. Our friction stays are made of stainless steel.

The outward opening window and the multipoint stay arm are installed to the frame. Both parts carry out the opening movement of the opening angle of the window and the opening of the sash up to a certain angle.

As a result the stay arm hinges and hinges provide the continuous movement and the visibility of the sash.

The stay arm type varies according to the weight, height and width of the sash.



Outwarding friction stay

- KG - Sash Width..... 600mm - 1200mm
- KY - Sash Height 650mm - 1200mm
- TK.kg^{max} - Carrying Capacity Max. 18 - 28 kg
- GT - BodyType..... Stainless Steel
- Pins..... Stainless Steel

PVC

Code	Product Description			
499001001027	Stainless Friction Stay	8"	250mm	771000740
499001001028	Stainless Friction Stay	10"	250mm	772000740
499001001029	Stainless Friction Stay	12"	300mm	773000740
499001001030	Stainless Friction Stay	16"	400mm	774500740
499001001082	Stainless Friction Stay	20"	500mm	775000740
499001001083	Stainless Friction Stay	24"	600mm	776000740

Fornax PvcSlide LS-200/300
Lift Slide Systems



Big, Heavy and Aesthetic

Lift & Slide Systems are used for heavy and big sliding doors. They are the most important type of accessories due to their carrying capacities and dimensions.

The Lift & Slide Systems are very functional by means of providing a wide area for passage between spaces, for providing a wide view and for their availability in using more than one opening sash.

The Fornax LNS System has been designed for this type of profiles and provides a maximum efficiency in function for sashes up to 300 kg.

The Fornax LNS System produced from specially reinforced material; is a reason for preference thanks to its easy control and high security features.

The high quality and long lifetime of Fornax LNS will protect the elegance of your lift and slide profiles and maintain its functionality for many years to come.

Its Advantages

- There are 3 variations of espagnolettes according to doors and windows (25, 27,5 and 37,5)
- For bigger sizes; we have an optional additional roller with which the capacity can be increased up to 400 kg.
- Provides time saving in assembly, has been designed in order to prevent faulty installation.
- Provides microventilation with its microventilation striker.
- The tension spring is a standard feature in the handle.
- The 3.20 meter one-piece espagnolette provides locking at 4 points.
- Provides locking at 3 points in standard sizes.

Technical Specifications

- Sash Width LS 200.....: 650 mm - 3200 mm
- Sash Width LS 300.....: 720 mm - 3200 mm
- Sash Height.....: 1200 mm -3200 mm
- Sash Weight.....^{max}: max. 200 Kg / *300 Kg / *400 Kg
- Espagnolette Axis.....: 25 mm / 27,5 mm / 37,5 mm
- Handle Position.....: Window: 400 mm
Door : 1010 mm

Color Options

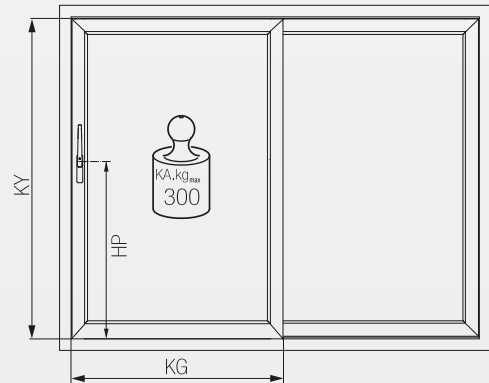
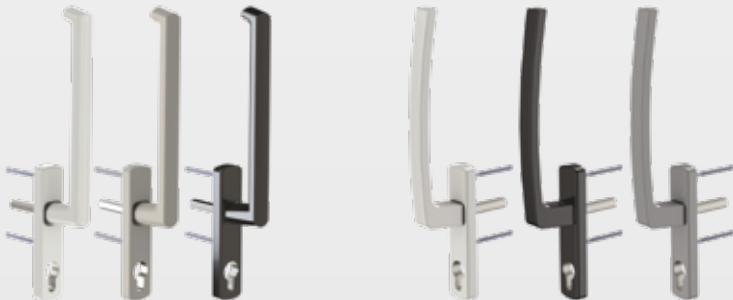
- Our Standard Colors
For other colors please ask your sales representative



HANDLE

Kivanc Series

Mısra Series

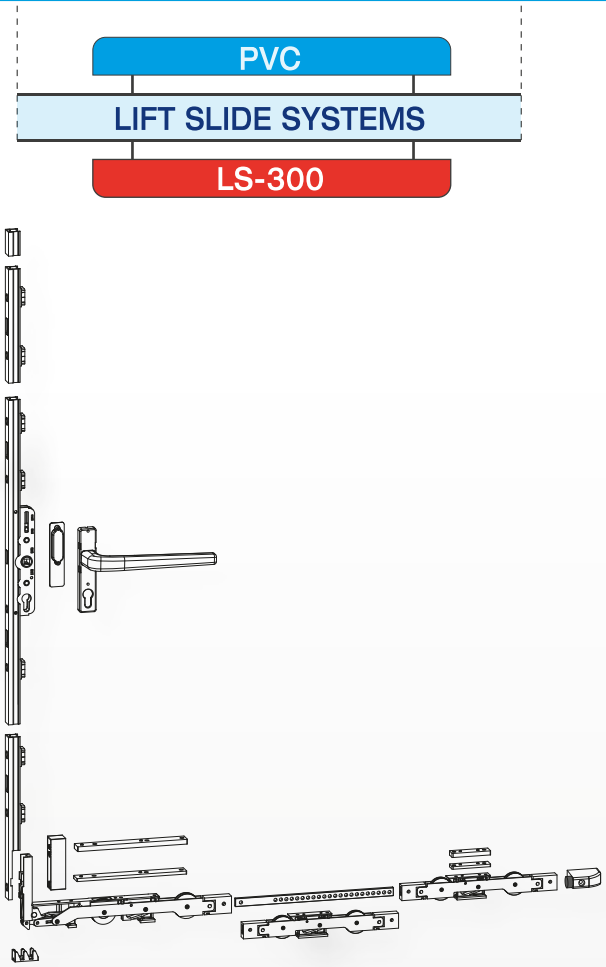
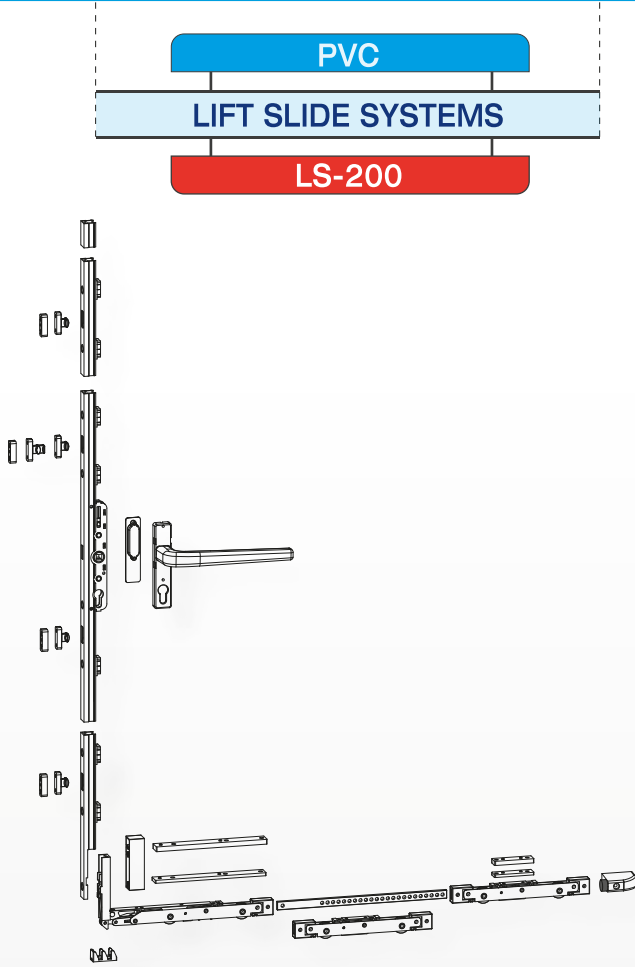


Pool Handle



Espagnolette





Order Details

27,5 mm Espagnolette	37,5 mm Espagnolette	Size	KA	Quantity	
140.127.180.000	140.137.180.000	GR 01	1800	1200-1800	1 Pc
140.127.210.000	140.137.210.000	GR 02	2100	1801-2100	1 Pc
140.127.240.000	140.137.240.000	GR 03	2400	2101-2400	1 Pc
140.127.280.000	140.137.280.000	GR 04	2800	2401-2800	1 Pc
140.127.320.000	140.137.320.000	GR 05	3200	2801-3200	1 Pc
Connecting Road	Size	KA	Quantity		
140.200.150.000	GR 01	900	720-1500	1 Pc	
140.200.200.000	GR 02	1400	1501-2000	1 Pc	
140.200.250.000	GR 03	1900	2001-2500	1 Pc	
140.200.320.000	GR 04	2750	2501-3200	1 Pc	
Handle Group	Quantity				
140.301.000.100	Handle/ Without Cylinder	1 Set			
140.301.000.200	Handle / With Cylinder	1 Set			
140.302.000.100	Double Handle/ with Cylinder/ Knob	1 Set			
140.302.000.200	Double Handle/ with and without cylinder	1 Set			
200 Kg Accessories Group*	Quantity				
140.401.000.001	Aluplast 70	1 Set			
140.401.000.002	Aluplast HST 4000	1 Set			
140.405.000.001	Deceuninck Monorial	1 Set			
140.408.000.001	Gealan 8000	1 Set			
140.412.000.001	Inotic Elit	1 Set			
140.420.000.001	Profine Premidor	1 Set			
140.421.000.001	Rehau Brillant	1 Set			
140.421.000.002	Rehau Geneo	1 Set			
140.421.000.003	Rehau S712	1 Set			
140.422.000.001	Salamander	1 Set			
140.422.000.002	Schüco Corona CT 70	1 Set			
140.424.000.001	Thyssen HST	1 Set			
140.424.000.002	Trocal S900	1 Set			
140.427.000.001	Veka Slide	1 Set			
140.427.000.002	Veka Softline	1 Set			
140.427.000.003	Veka Topline	1 Set			
140.428.000.001	Wymar 3000	1 Set			

Order Details

27,5 mm Espagnolette	37,5 mm Espagnolette	Size	KA	Quantity	
140.127.180.000	140.137.180.000	GR 01	1800	1200-1800	1 Pc
140.127.210.000	140.137.210.000	GR 02	2100	1801-2100	1 Pc
140.127.240.000	140.137.240.000	GR 03	2400	2101-2400	1 Pc
140.127.280.000	140.137.280.000	GR 04	2800	2401-2800	1 Pc
140.127.320.000	140.137.320.000	GR 05	3200	2801-3200	1 Pc
Connecting Road	Size	KA	Quantity		
140.200.150.000	GR 01	900	720-1500	1 Pc	
140.200.200.000	GR 02	1400	1501-2000	1 Pc	
140.200.250.000	GR 03	1900	2001-2500	1 Pc	
140.200.320.000	GR 04	2750	2501-3200	1 Pc	
Handle Group	Quantity				
140.301.000.100	Handle/ Without Cylinder	1 Set			
140.301.000.200	Handle / With Cylinder	1 Set			
140.302.000.100	Double Handle/ with Cylinder/ Knob	1 Set			
140.302.000.200	Double Handle/ with and without cylinder	1 Set			
140.305.000.100	LS-Dış Kol Büyük (B+)	1 Set			
140.305.000.200	LS-Dış Kol Büyük (B-)	1 Set			
140.308.000.100	LS-İç Kol Büyük (B+)	1 Set			
140.308.000.200	LS-İç Kol Büyük (B-)	1 Set			
300 Kg Accessories Group*	Quantity				
140.501.000.001	Aluplast 70	1 Set			
140.501.000.002	Aluplast HST 4000	1 Set			
140.505.000.001	Deceuninck Monorial	1 Set			
140.508.000.001	Gealan 8000	1 Set			
140.512.000.001	Inotic Elit	1 Set			
140.520.000.001	Profine Premidor	1 Set			
140.521.000.001	Rehau Brillant	1 Set			
140.521.000.002	Rehau Geneo	1 Set			
140.521.000.003	Rehau S712	1 Set			
140.522.000.001	Salamander	1 Set			
140.522.000.002	Schüco Corona CT 70	1 Set			
140.524.000.001	Thyssen HST	1 Set			
140.524.000.002	Trocal S900	1 Set			
140.527.000.001	Veka Slide	1 Set			
140.527.000.002	Veka Softline	1 Set			
140.527.000.003	Veka Topline	1 Set			
140.528.000.001	Wymar 3000	1 Set			



Fornax PvcSlide TS-130

Prestige in Sliding Systems

The Fornax Parallel Sliding Systems; is a system developed for sliding door and window hardwares that embodies the technology of Tilt & Turn systems and the elegance of Sliding systems.

It is the most effective and pretigious solution to the additional profile stock costs and insulation problems of simple sliding systems.

The system is available for use as single and double sashes. It creates a new alternative to the simple sliding systems with its easy and faultlessly installable equipment and parts, and provides an integrity with its supeior quality and economical aspect.

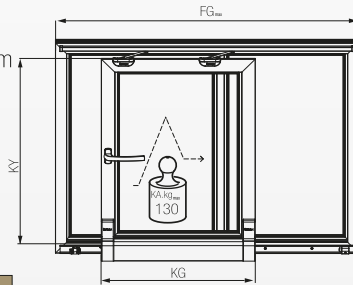
The system provides an easy passage between places with the 1600mm opening it presents. It also provides a saving of space thanks to the technology of sliding systems.

The Parallel Sliding System provides easy passage to terraces, balconies, winter gardens and/or glassed sections; but is also an ideal solution for kitchens, study rooms and offices.

The system which as Manual and Semi-Automatic options can control sashes up to 130 kg and is able to provide ventilation without completely opening the sash.

Technical Specifications

- Sash Width: 500mm/700mm - 1600*mm
- Sash Height.....: 885mm - 2400 mm
- Frame Width.....: Max. 3200 mm
- Sash Weight.....: Max. 130 Kg



Color Options

- Our Standart Colors
For other colors please ask your sales representative



Our Advantages

- Our system provides usage possibility of 30/40 Aks.
Lockable CH Espagnolette.
- Carrying capacity for Sashes up to 130kg
- Saves time in installation. Has been designed to prevent faulty installation.
- Can be operated manually and semi-automatically.

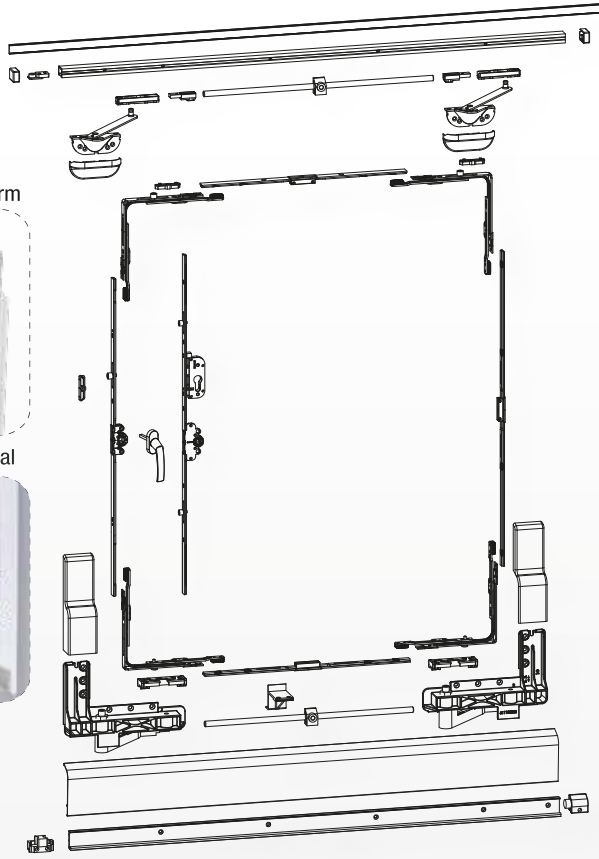


Standard Stay Arm

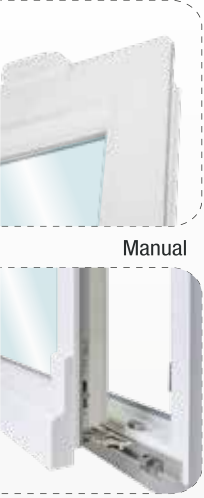
Lux Stay Arm



PVC
PARALLEL SLIDING SYSTEMS
TS-130M MANUAL

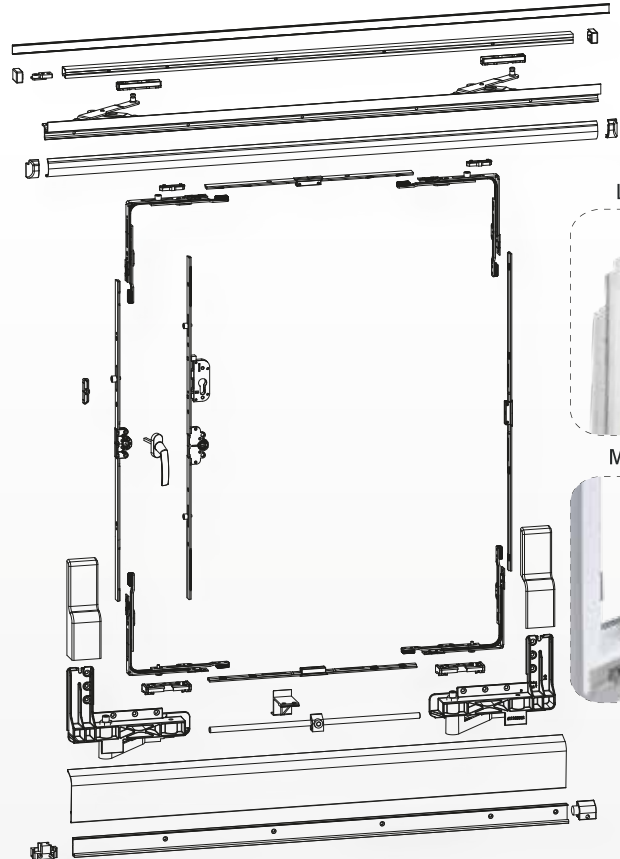


Standard Stay Arm



Manual

PVC
PARALLEL SLIDING SYSTEMS
TS-130ML LUX MANUAL



Lux Stay Arm



Manual

Order Details

15mm Esp./Rail Set*	30mm Esp./Rail Set*	Vertical	Horizontal	Rail Size	Quantity	
198.320.020.100	A200	885-1300	685-1100	2000	1 Set	
198.320.020.200	B200	1185-1600	685-1100	2000	1 Set	
198.320.020.300	198.320.120.300	C200	1585-2000	685-1100	2000	1 Set
198.320.020.400	198.320.120.400	D200	1985-2400	685-1100	2000	1 Set
198.320.026.100	A260	885-1300	885-1300	2600	1 Set	
198.320.026.200	B260	1185-1600	885-1300	2600	1 Set	
198.320.026.300	198.320.126.300	C260	1585-2000	885-1300	2600	1 Set
198.320.026.400	198.320.126.400	D260	1985-2400	885-1300	2600	1 Set
198.320.032.100	A320	885-1300	1185-1600	3200	1 Set	
198.320.032.200	B320	1185-1600	1185-1600	3200	1 Set	
198.320.032.300	198.320.132.300	C320	1585-2000	1185-1600	3200	1 Set
198.320.032.400	198.320.132.400	D320	1985-2400	1185-1600	3200	1 Set

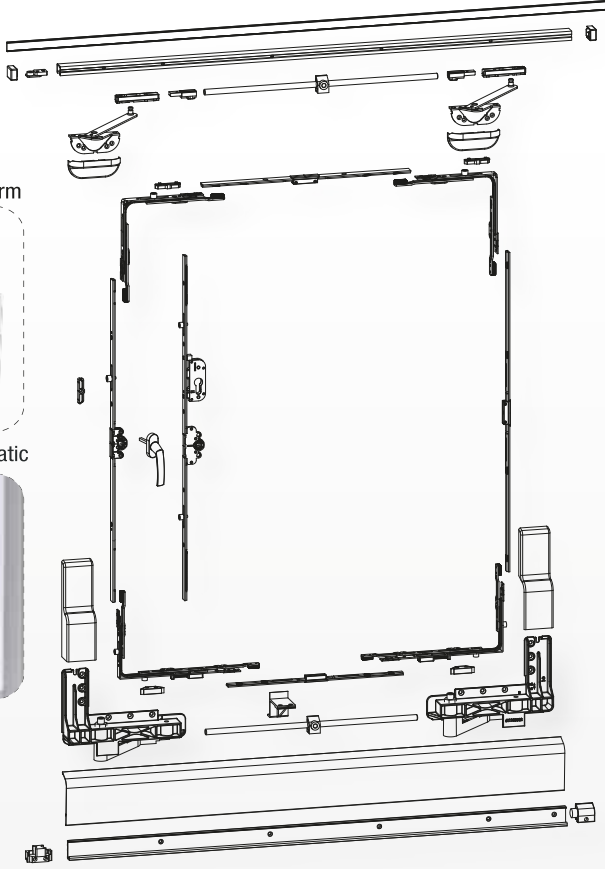
Order Details

15mm Esp./Rail Set*	30mm Esp./Rail Set*	Vertical	Horizontal	Rail Size	Quantity	
197.320.020.100	A200	885-1300	685-1100	2000	1 Set	
197.320.020.200	B200	1185-1600	685-1100	2000	1 Set	
197.320.020.300	197.320.120.300	C200	1585-2000	685-1100	2000	1 Set
197.320.020.400	197.320.120.400	D200	1985-2400	685-1100	2000	1 Set
197.320.026.100	A260	885-1300	885-1300	2600	1 Set	
197.320.026.200	B260	1185-1600	885-1300	2600	1 Set	
197.320.026.300	197.320.126.300	C260	1585-2000	885-1300	2600	1 Set
197.320.026.400	197.320.126.400	D260	1985-2400	885-1300	2600	1 Set
197.320.032.100	A320	885-1300	1185-1600	3200	1 Set	
197.320.032.200	B320	1185-1600	1185-1600	3200	1 Set	
197.320.032.300	197.320.132.300	C320	1585-2000	1185-1600	3200	1 Set
197.320.032.400	197.320.132.400	D320	1985-2400	1185-1600	3200	1 Set

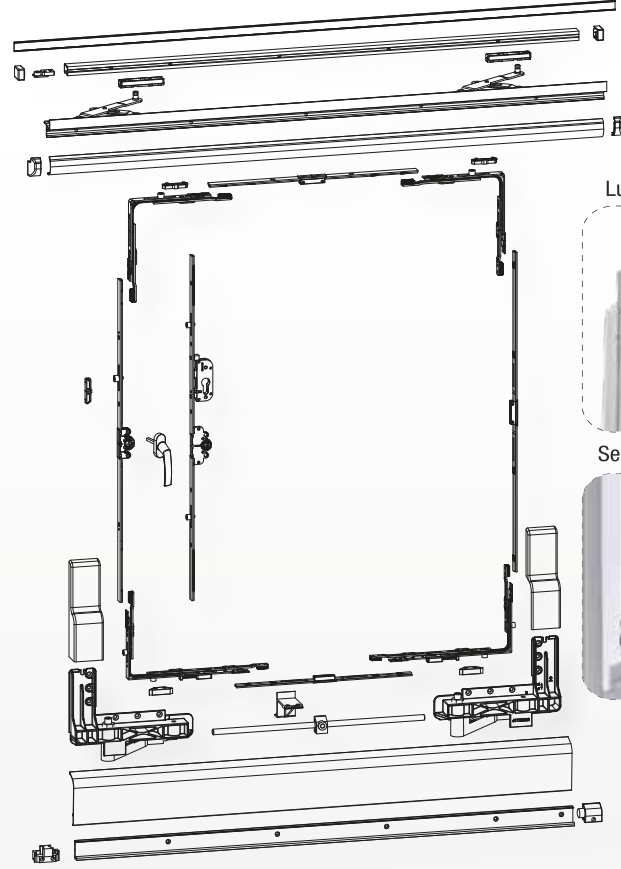
Accessories Set**	Handle	Axis	Left/Right	Quantity	
198.331.200.000	130M	☑	9	Right	1 Set
198.331.200.100	130M	☑	13	Right	1 Set
198.331.300.000	130M	☑	9	Left	1 Set
198.331.300.100	130M	☑	13	Left	1 Set
198.332.200.000	130M	☐	9	Right	1 Set
198.332.200.100	130M	☐	13	Right	1 Set
198.332.300.000	130M	☐	9	Left	1 Set
198.332.300.100	130M	☐	13	Left	1 Set

Accessories Set**	Handle	Axis	Left/Right	Quantity	
197.331.200.000	130ML	☑	9	Right	1 Set
197.331.200.100	130ML	☑	13	Right	1 Set
197.331.300.000	130ML	☑	9	Left	1 Set
197.331.300.100	130ML	☑	13	Left	1 Set
197.332.200.000	130ML	☐	9	Right	1 Set
197.332.200.100	130ML	☐	13	Right	1 Set
197.332.300.000	130ML	☐	9	Left	1 Set
197.332.300.100	130ML	☐	13	Left	1 Set

PVC
PARALLEL SLIDING SYSTEMS
TS-130Y SEMI-AUTOMATIC



PVC
PARALLEL SLIDING SYSTEMS
TS-130YL LUX SEMI-AUTOMATIC



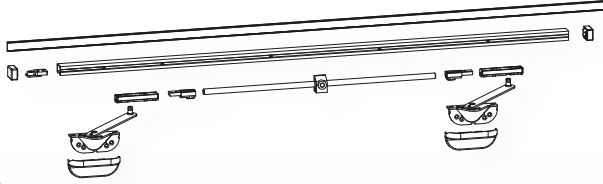
Order Details

15mm Esp./Rail Set*	30mm Esp./Rail Set*	Vertical	Horizontal	Rail Size	Quantity	
198.120.020.100		A200	885-1300	685-1100	2000	1 Set
198.120.020.200		B200	1185-1600	685-1100	2000	1 Set
198.120.020.300	198.120.120.300	C200	1585-2000	685-1100	2000	1 Set
198.120.020.400	198.120.120.400	D200	1985-2400	685-1100	2000	1 Set
198.120.026.100		A260	885-1300	885-1300	2600	1 Set
198.120.026.200		B260	1185-1600	885-1300	2600	1 Set
198.120.026.300	198.120.126.300	C260	1585-2000	885-1300	2600	1 Set
198.120.026.400	198.120.126.400	D260	1985-2400	885-1300	2600	1 Set
198.120.032.100		A320	885-1300	1185-1600	3200	1 Set
198.120.032.200		B320	1185-1600	1185-1600	3200	1 Set
198.120.032.300	198.120.132.300	C320	1585-2000	1185-1600	3200	1 Set
198.120.032.400	198.120.132.400	D320	1985-2400	1185-1600	3200	1 Set
Accessories Set**	Handle	Axis	Left/Right	Quantity		
198.131.200.000	130Y	☑	9	Right	1 Set	
198.131.200.100	130Y	☑	13	Right	1 Set	
198.131.300.000	130Y	☑	9	Left	1 Set	
198.131.300.100	130Y	☑	13	Left	1 Set	
198.132.200.000	130Y	☐	9	Right	1 Set	
198.132.200.100	130Y	☐	13	Right	1 Set	
198.132.300.000	130Y	☐	9	Left	1 Set	
198.132.300.100	130Y	☐	13	Left	1 Set	

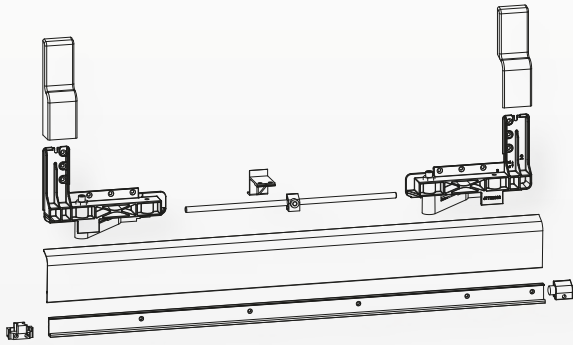
Order Details

15mm Esp./Rail Set*	30mm Esp./Rail Set*	Vertical	Horizontal	Rail Size	Quantity	
197.120.020.100		A200	885-1300	685-1100	2000	1 Set
197.120.020.200		B200	1185-1600	685-1100	2000	1 Set
197.120.020.300	197.120.120.300	C200	1585-2000	685-1100	2000	1 Set
197.120.020.400	197.120.120.400	D200	1985-2400	685-1100	2000	1 Set
197.120.026.100		A260	885-1300	885-1300	2600	1 Set
197.120.026.200		B260	1185-1600	885-1300	2600	1 Set
197.120.026.300	197.120.126.300	C260	1585-2000	885-1300	2600	1 Set
197.120.026.400	197.120.126.400	D260	1985-2400	885-1300	2600	1 Set
197.120.032.100		A320	885-1300	1185-1600	3200	1 Set
197.120.032.200		B320	1185-1600	1185-1600	3200	1 Set
197.120.032.300	197.120.132.300	C320	1585-2000	1185-1600	3200	1 Set
197.120.032.400	197.120.132.400	D320	1985-2400	1185-1600	3200	1 Set
Accessories Set**	Handle	Axis	Left/Right	Quantity		
197.131.200.000	130YL	☑	9	Sağ	1 Set	
197.131.200.100	130YL	☑	13	Sağ	1 Set	
197.131.300.000	130YL	☑	9	Sol	1 Set	
197.131.300.100	130YL	☑	13	Sol	1 Set	
197.132.200.000	130YL	☐	9	Sağ	1 Set	
197.132.200.100	130YL	☐	13	Sağ	1 Set	
197.132.300.000	130YL	☐	9	Sol	1 Set	
197.132.300.100	130YL	☐	13	Sol	1 Set	

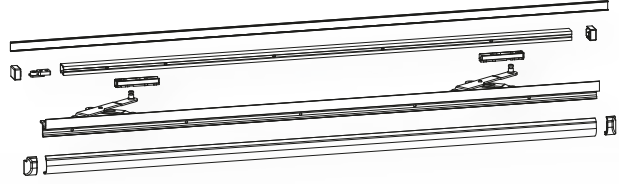
PVC
PARALLEL SLIDING SYSTEMS
TS-130K CLASSIC



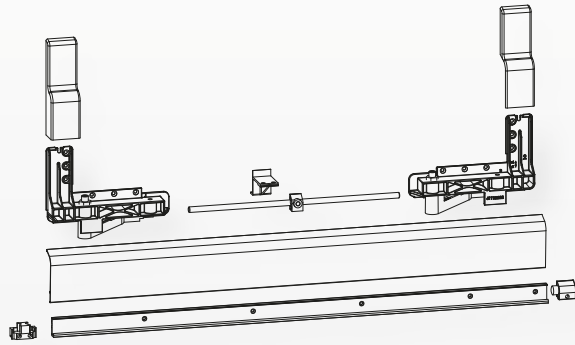
Standard Stay Arm



PVC
PARALLEL SLIDING SYSTEMS
TS-130KL LUX CLASSIC



Lux Stay Arm

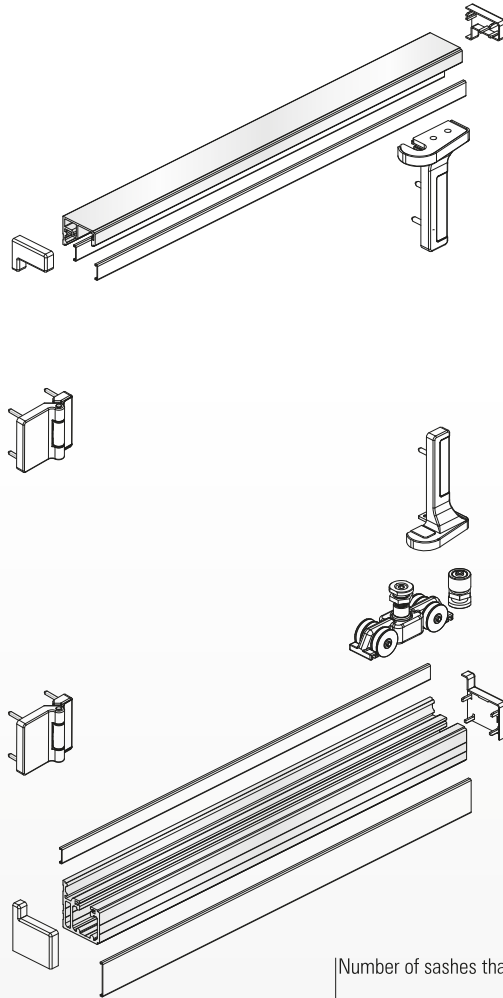


Order Details

Rail Set*	Rail Size		Quantity
198.410.020.000	A200	2000	1 Set
198.410.026.000	A260	2600	1 Set
198.410.032.000	A320	3200	1 Set
Accessories Set**	Handle	Left/Right	Quantity
198.431.200.000	130K	Right	1 Set
198.432.200.000	130K	Right	1 Set
198.431.300.000	130K	Left	1 Set
198.432.300.000	130K	Left	1 Set

Order Details

Rail Set*	Rail Size		Quantity
197.410.020.000	A200	2000	1 Set
197.410.026.000	A260	2600	1 Set
197.410.032.000	A320	3200	1 Set
Accessories Set**	Handle	Left/Right	Quantity
197.431.200.000	130KL	Right	1 Set
197.432.200.100	130KL	Left	1 Set
197.431.300.000	130KL	Right	1 Set
197.432.300.100	130KL	Left	1 Set



Number of sashes that open to the left

431

Sample order for schema 431

Total number of sashes

Number of sashes that open to the right

TECHNICAL PICTURE	CODE	PART NAME	LENGHT / AXE	COLOUR VARIANT			FOLDING SCHEMA- MIN. QUANTITY											
				WHITE RAL-9016	BLACK RAL-8022	SILVER RAL-9006	321	330	431	532	541	550	633	651	743	761	770	
	141.001.001.001	Bogie set					1	1	1	2	2	2	2	2	3	3	3	
	141.002.001.001	Support bracket Accessories (upvc&timber)		✓	✓	✓	1	1	1	2	2	2	2	2	3	3	3	
	141.003.003.001	Folding 3 m Track set	1 - 3000				1	1	1	1	1	1	1	1	1	1	1	
	141.003.004.001	Folding 4 m Track set	3001 - 4000	✓	✓	✓	1	1	1	1	1	1	1	1	1	1	1	
	141.003.005.001	Folding 5 m Track set	4001 - 5000				1	1	1	1	1	1	1	1	1	1	1	
	141.003.006.001	Folding 6 m Track set	5001 - 6000				1	1	1	1	1	1	1	1	1	1	1	
	141.004.001.001	Set Sash Retaining Device		✓	✓	✓	1	2	2	3	2	2	4	2	4	2	2	
	141.005.001.001	Folding Hinge Set	20/40	✓	✓	✓	3	6	6	9	9	12	12	12	15	15	18	
	141.005.003.001	Folding Hinge Set	20/50															
	141.005.004.001	Folding Hinge Set	30/50															

Accessories

	141.006.001.001	Folding system Hinge Jig																
	141.007.001.001	Folding system Support Bracket Jig																
	141.008.001.001	Packers frame hinge-bearing	16mm															
	141.008.002.001	Packers frame hinge-bearing	17mm															
	141.008.003.001	Packers frame hinge-bearing	18mm	✓	✓	✓												
	141.008.004.001	Packers frame hinge-bearing	19mm															
	141.009.001.001	Packers support bracket (for aluminium)	7 mm	✓	✓	✓	2	2	2	4	4	4	4	4	6	6	6	

FOLDING SYSTEMS

140A



Fornax Folding System
Order Details

- Concealed central locking system for one-hand-operation
- Optional top or bottom running door elements
- Inward or outward opening
- Silver and Black anodised roller tracks and guide tracks
- Coloured cover strips
- Powder-coated hinges and support brackets
- Tilt&Turn or Turn-Only sash as the access sash
- Retro-adjustable components
- Corrosion resistance 480 hours
- Tested according to DIN EN 13126-15 standard
- Aluminium track has brush pile seal

Fornax security components

Technical Specification

- Sash rebate width SRW.: 450 mm – max. 1200 mm
- Sash rebate width SRW.: 450 mm – max. 900 mm (folding sash)
- Sash rebate height SRH.: 600 mm – max. 2400 mm
- Sash weight S.kg : max. 100 kg (for bottom-running version)
- Sash weight S.kg : max. 80 kg (for top-running version)
- Roller track length : max. 6m

Color Options

- Our standard color are as mentioned below. For other colors please contact your sales representative.

Ral-9016

Ral-9005

Ral-9006



Fornax PvcSlide BSS Simple Sliding Hardwares

Simple and Useful

Simple Sliding profiles are functional for providing a wide area for passage between places and for having a wide view angle. They are also practical for their availability for usage in more than one opening sash.

The Fornax BSS Series simple sliding hardware; designed especially for these types of profiles, provide a maximum efficiency in functionality up to 100 kg with their various sliding rollers and espagnolettes.

The Fornax BSS hardware, manufactured from specially reinforced material, provides an aesthetic appearance and functionality with their easy action and handle variety.

The Fornax BSS Series is compatible with all simple sliding profiles with its variety in espagnolettes axis options; thus presenting an easy fast and faultless installation possibilities.

Fornax BSS hardware, which provides a lockable espagnolette option and various pin options for different security levels; has a resistance against oxidation with the superior coating technology of YelkenCoat that enables the usage of our products for long years without any problem.

Our Advantages

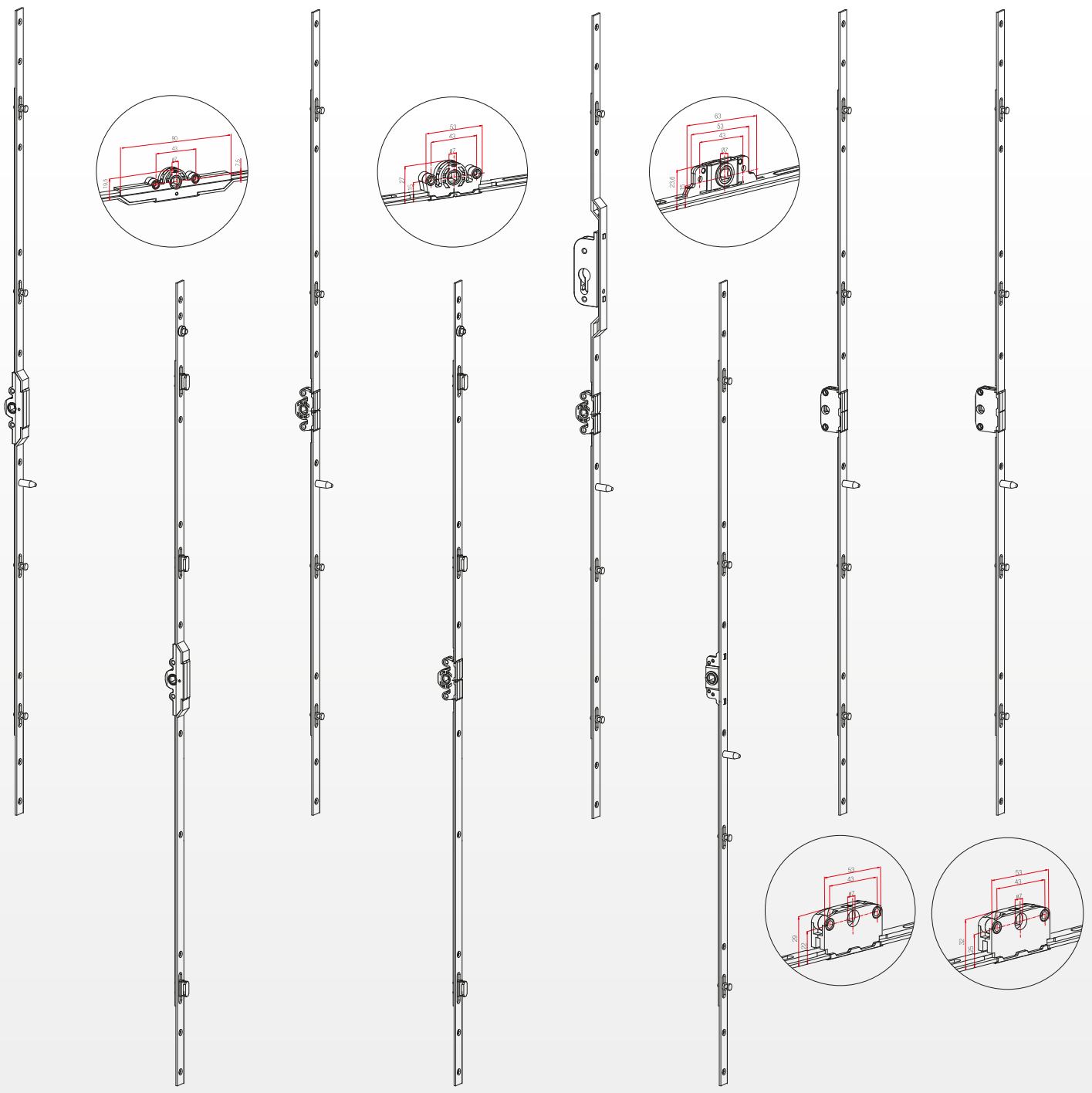
- Various espagnolette axis options that enable compatibility for all profile types.
- Various sliding roller options that enable to increase the carrying capacity up to 100 kg.
- Maximum resistance against corrosion with superior YelkenCoat coating.



Hardware Technical Details

- Sash Width: 500mm - 1600mm
- Sash Height.....: 400mm - 2100mm
- Sash Weight.....: Max. 100 Kg

PVC
SIMPLE SLIDING HARDWARES
BSS-115



Order Details

Size	7,5mm BSS Espagnolette Zamac Gearbox	7,5mm BSS Espagnolette Zamac Pins	15mm BSS Espagnolette Zamac Gearbox	15mm BSS Espagnolette Zamac Pins	15mm BSS Espagnolette Additional Lock	15mm BSS Espagnolette Iron Gearbox	22mm BSS Espagnolette Zamac Gearbox	25mm BSS Espagnolette Zamac Gearbox
600mm	110.060.307.200	110.060.307.201	110.060.315.200	110.060.315.201		115.060.315.100	110.060.322.200	110.060.325.200
800mm	110.080.307.200	110.080.307.201	110.080.315.200	110.080.315.201		115.080.315.100	110.080.322.200	110.080.325.200
1000mm	110.100.307.200		110.100.315.200			115.100.315.100	110.100.322.200	110.100.325.200
1200mm	110.120.307.200		110.120.315.200			115.120.315.100	110.120.322.200	110.120.325.200
1400mm	110.140.307.200		110.140.315.200			115.140.315.100	110.140.322.200	110.140.325.200
1600mm	110.160.307.200		110.160.315.200		110-40315-160	115.160.315.100	110.160.322.200	110.160.325.200
1800mm	110.180.307.200	110.180.307.201	110.180.315.200	110.180.315.201	110-40315-180	115.180.315.100	110.180.322.200	110.180.325.200
2000mm	110.200.307.200		110.200.315.200		110-40315-200	115.200.315.100	110.200.322.200	110.200.325.200



Fornax PvcMotion
Turn-only espagnolette hardware

Open up to the World with a Turn only.

With various espagnolette combinations; the system can realize its function with maximum efficiency for sashes up to 100 kg.

The Fornax BSS hardware, manufactured from specially reinforced material, provides an aesthetic appearance and functionality with their easy action and handle variety.

Fornax BSS hardware, which provides a lockable espagnolette option and various pin options for different security levels; has a resistance against oxidation with the superior coating technology of YelkenCoat that enables the usage of our products for long years without any problem.

Our Advantages;

- Various espagnolette axis options that enable compatibility for all profile types.
- Carrying capacity up to maximum 100 kg.
- Maximum resistance against corrosion with superior YelkenCoat coating.

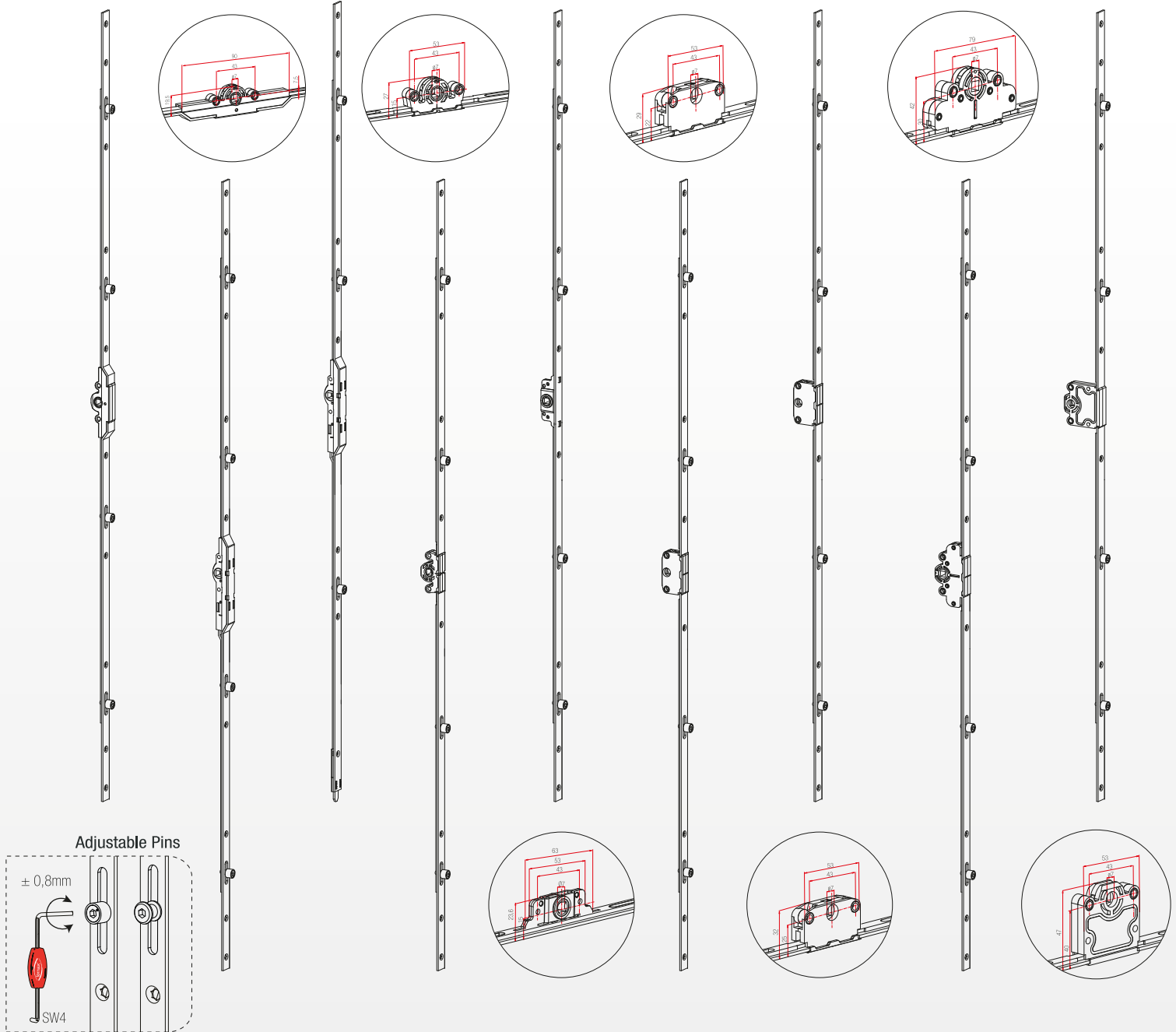


Hardware Technical Details

- Sash Width: 500mm - 1600mm
- Sash Height.....: 400mm - 2100mm
- Sash Weight.....: Max. 100 Kg



PVC
TILT ONLY HARDWARES
TO-115



Order Details

Size	7,5mm Espagnolette Zamac Gearbox	7,5mm Espagnolette reversing	7,5mm Espagnolette reversing	15mm Espagnolette Zamac Gearbox	15mm Espagnolette Iron/steel Gearbox	22mm Espagnolette Zamac Gearbox	25mm Espagnolette Zamac Gearbox	30mm Espagnolette Zamac Gearbox	40mm Espagnolette Zamac Gearbox
210mm	110.021.207.200		110.055.615.200	110.021.215.200	115.021.215.100	110.021.222.200	110.021.225.200	110.021.230.200	110.021.240.200
280mm	110.028.207.200		110.075.620.200	110.080.215.200	115.028.215.100	110.028.222.200	110.028.225.200	110.028.230.200	110.028.240.200
400mm	110.040.207.200	110.040.675.200	110.110.640.200	110.080.215.200	115.040.215.100	110.040.222.200	110.040.225.200	110.040.230.200	110.040.240.200
600mm	110.060.207.200	110.060.675.200	110.135.650.200	110.060.215.200	115.060.215.100	110.060.222.200	110.060.225.200	110.060.230.200	110.060.240.200
800mm	110.080.207.200	110.080.675.200	110.160.650.200	110.080.215.200	115.080.215.100	110.080.222.200	110.080.225.200	110.080.230.200	110.080.240.200
1000mm	110.100.207.200	110.100.675.200	110.185.650.200	110.100.215.200	115.100.215.100	110.100.222.200	110.100.225.200	110.100.230.200	110.100.240.200
1200mm	110.120.207.200	110.120.675.200	110.160.660.200	110.120.215.200	115.120.215.100	110.120.222.200	110.120.225.200	110.120.230.200	110.120.240.200
1400mm	110.140.207.200	110.140.675.200	110.185.660.220	110.140.215.200	115.140.215.100	110.140.222.200	110.140.225.200	110.140.230.200	110.140.240.200
1600mm	110.160.207.200	110.160.675.200	110.210.660.200	110.160.215.200	115.160.215.100	110.160.222.200	110.160.225.200	110.160.230.200	110.160.240.200
1800mm	110.180.207.200	110.180.675.200	110.235.670.200	110.180.215.200	115.180.215.100	110.180.222.200	110.180.225.200	110.180.230.200	110.180.240.200
2000mm	110.200.207.200	110.200.675.200	110.235.698.200	110.200.215.200	115.200.215.100	110.200.222.200	110.200.225.200	110.200.230.200	110.200.240.200

Fornax PvcSecure
Kapı Kilit Donanımları

Efficiency, Security & Quality

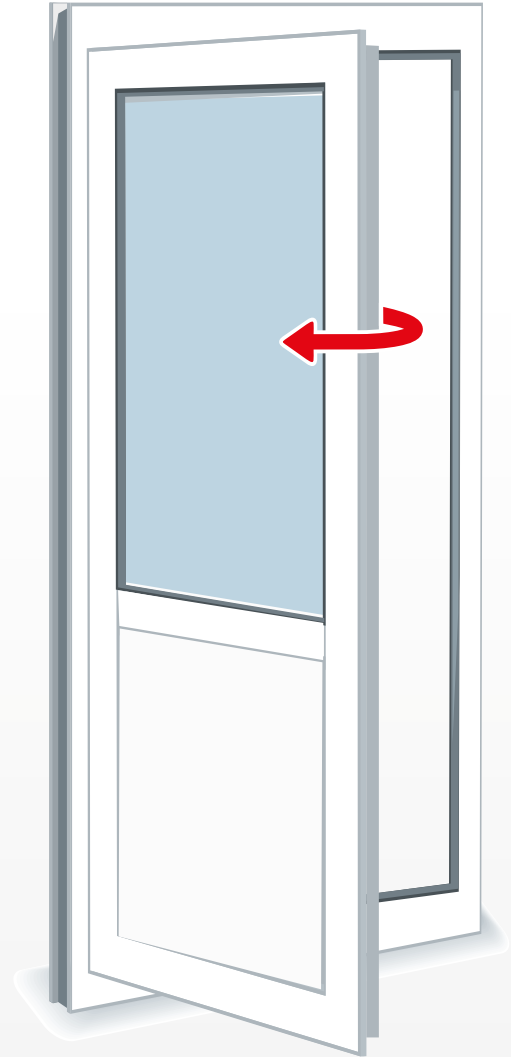
We as Fornax, give a lot of importance to energy efficiency and aim to provide thermal insulation in all our desings.

Our PVC multipoint door locks have been manufactured with this idea. our product has been developed as a solution for doors used mainly for thermal insulation. Our products assist in providing energy efficiency by preventing the indoor to be affected by outdoor conditions by maintaining maximum washer pressure with enabling multipoint locking. The multipoint locking system also provides a higher security than the standard single point locking systems.

The single point locking type Fornax mortice locks are rather preferred in outdoor entrances where thermal insulation is not important. These type of locks are mainly preferred in apartment entrance doors, schools, hospitals, markets and indoor office doors.

Our Advantages

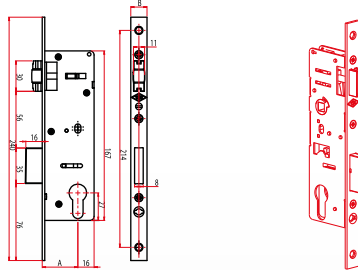
- Multipoint door locks and mortice locks that provide multipoint locking and single point locking options.
- Steel body mortice locks that provide a silent action.
- Roller type latch option for outdoor entrances.



PVC
DOOR LOCK HARDWARES
MORTISE DOOR LOCKS

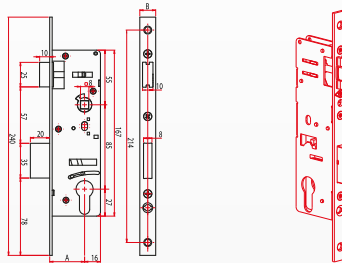
85mm w/Cylinder

- Sash Height : 1800mm - 2400mm
- Body Type : IronSheet Body-IronSheet Cover
- Working Style.....: Controlled from cylinder
- Handle Centre.....: 85mm
- Axis : 35mm - 40mm



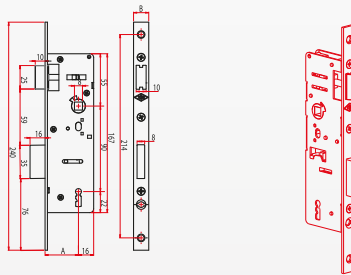
w/Cylinder-Roller Latch

- Sash Height : 1800mm - 2400mm
- Body Type : IronSheet Body-IronSheet Cover
- Working Style.....: Controlled from cylinder
- Axis : 35mm - 40mm



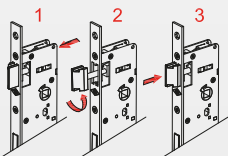
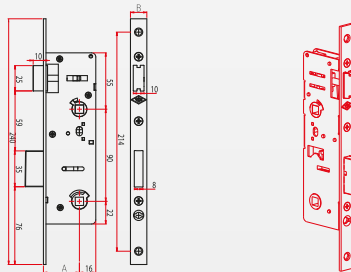
90mm w/Interior

- Sash Height : 1800mm - 2400mm
- Body Type : IronSheet Body-IronSheet Cover
- Working Style.....: Controlled from cylinder
- Handle Centre.....: 90mm
- Axis : 35mm - 40mm



90mm w/Bath/WC

- Sash Height : 1800mm - 2400mm
- Body Type : IronSheet Body-IronSheet Cover
- Working Style.....: Controlled from cylinder
- Handle Centre.....: 90mm
- Axis : 35mm - 40mm



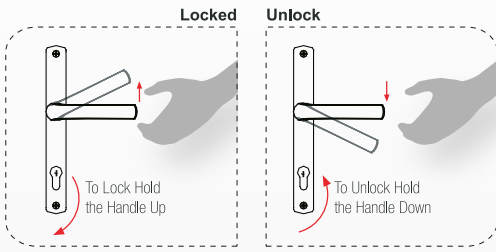
Order Details

A	85mm w/Cylinder	90mmw/Cylinder-Roller Latch	Interior	Bath/WC
35mm / 16mm	266.185.035.200	266.100.035.200	265.190.035.000	264.190.035.000
35mm / 20mm	266.185.035.300	266.100.035.300	-	-
40mm / 16mm	266.185.040.200	266.100.040.200	265.190.040.000	264.190.040.000
40mm / 20mm	266.185.040.300	266.100.040.300	-	-

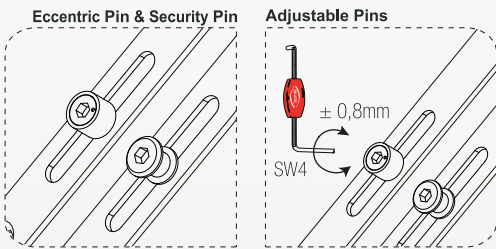
PVC
DOOR LOCK HARDWARES
AS-168/85 IRONSHEET BODY

AS-168/85 IronSheet Body
Multipoint Locks

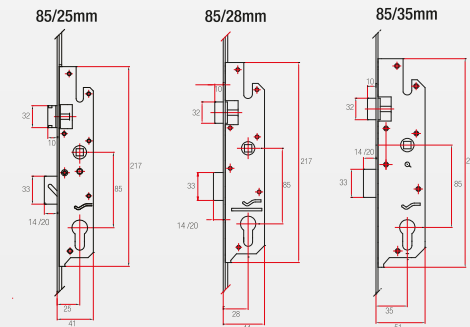
- Sash Height : 1800mm - 2400mm
- Body Type : IronSheet Body-IronSheet Cover
- Working Style : Handle Operated
- Handle Centre : 85mm
- Axis : 25mm - 28mm - 35mm



Handle Operated Working



Options of Pins



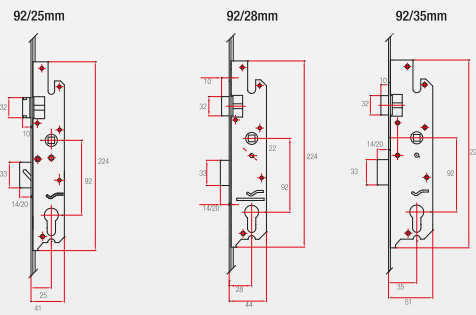
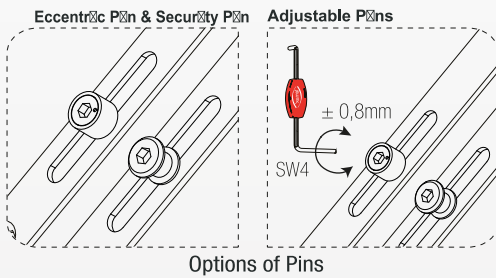
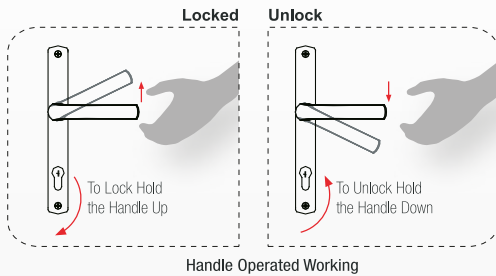
Order Details

Type	Size	85/25	85/28	85/35
(B+/D-) w/Cylinder without/Deadbolt	1600mm	168.160.185.125	168.160.185.128	168.160.185.135
	1800mm	168.180.185.125	168.180.185.128	168.180.185.135
	2000mm	168.200.185.125	168.200.185.128	168.200.185.135
(B-/D-) without / Cylinder-Deadbolt	1600mm	168.160.285.125	168.160.285.128	168.160.285.135
	1800mm	168.180.285.125	168.180.285.128	168.180.285.135
	2000mm	168.200.285.125	168.200.285.128	168.200.285.135
(B+/D+) with / Cylinder-Deadbolt	1600mm	168.160.385.125	168.160.385.128	168.160.385.135
	1800mm	168.180.385.125	168.180.385.128	168.180.385.135
	2000mm	168.200.385.125	168.200.385.128	168.200.385.135

PVC
DOOR LOCK HARDWARES
AS-168/92 IRONSHEET BODY

AS-168/92 IronSheet Body
Multipoint Locks

- Sash Height : 1800mm - 2400mm
- Body Type : IronSheet Body-IronSheet Cover
- Working Style : Handle Operated
- Handle Centre : 92mm
- Axis : 25mm - 28mm - 35mm



Order Details

Type	Size	92/25	92/28	92/35
(B+/D-) w / Cylinder without/Deadbolt	1600mm	168.160.192.125	168.160.192.128	168.160.192.135
	1800mm	168.180.192.125	168.180.192.128	168.180.192.135
	2000mm	168.200.192.125	168.200.192.128	168.200.192.135
(B-/D-) without / Cylinder-Deadbolt	1600mm	168.160.292.125	168.160.292.128	168.160.292.135
	1800mm	168.180.292.125	168.180.292.128	168.180.292.135
	2000mm	168.200.292.125	168.200.292.128	168.200.292.135
(B+/D+)with / Cylinder-Deadbolt	1600mm	168.160.392.125	168.160.392.128	168.160.392.135
	1800mm	168.180.392.125	168.180.392.128	168.180.392.135
	2000mm	168.200.392.125	168.200.392.128	168.200.392.135

Fornax PvcSecure
Door Lock Hardwares

Efficiency, Security & Quality

We as Fornax, give a lot of importance to energy efficiency and aim to provide thermal insulation in all our desings.

Our PVC multipoint door locks have been manufactured with this idea. our product has been developed as a solution for doors used mainly for thermal insulation. Our products assist in providing energy efficiency by preventing the indoor to be affected by outdoor conditions by maintaining maximum washer pressure with enabling multipoint locking. The multipoint locking system also provides a higher security than the standard single point locking systems.

The single point locking type Fornax mortice locks are rather preferred in outdoor entrances where thermal insulation is not important. These type of locks are mainly preferred in apartment entrance doors, schools, hospitals, markets and indoor office doors.

Our Advantages

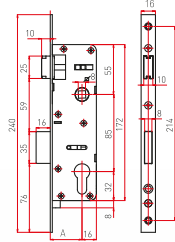
- Multipoint door locks and mortice locks that provide multipoint locking and single point locking options.
- Steel body mortice locks that provide a silent action.
- Roller type latch option for outdoor entrances.



PVC
DOOR LOCK HARDWARES
MORTISE DOOR LOCKS

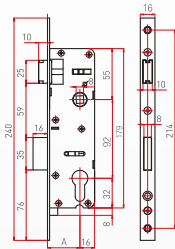
85mm w/Cylinder

- Sash Height : 1800mm - 2400mm
- Body Type : Pls. Body-IronSheet Cover
- Working Style.....: Key Operated
- Handle Centre.....: 85mm
- Axis : 20mm - 25mm - 30mm - 35mm
40mm - 45mm



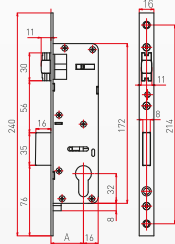
92mm w/Cylinder

- Sash Height : 1800mm - 2400mm
- Body Type : Pls. Body-IronSheet Cover
- Working Style.....: Key Operated
- Handle Centre.....: 92mm
- Axis : 20mm - 25mm - 30mm - 35mm



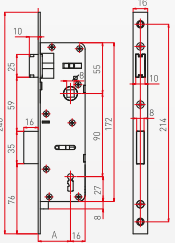
w/Cylinder-Roller Latch

- Sash Height : 1800mm - 2400mm
- Body Type : Pls. Body-IronSheet Cover
- Working Style.....: Key Operated
- Axis : 25mm - 30mm - 35mm - 40mm



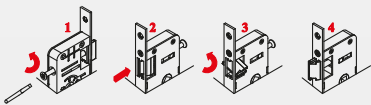
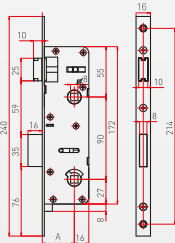
Interior

- Sash Height : 1800mm - 2400mm
- Body Type : Pls. Body-IronSheet Cover
- Working Style.....: Key Operated
- Handle Centre.....: 90mm
- Axis : 20mm - 25mm - 30mm - 35mm
40mm - 45mm

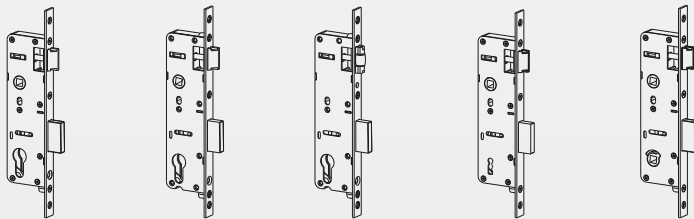


Bath/WC

- Sash Height : 1800mm - 2400mm
- Body Type : Pls. Body-IronSheet Cover
- Working Style.....: Key Operated
- Handle Centre.....: 90mm
- Axis : 20mm - 25mm - 30mm - 35mm
40mm - 45mm



NOTE: Stainless Flat Bar option is Optional, please contact your customer representative.



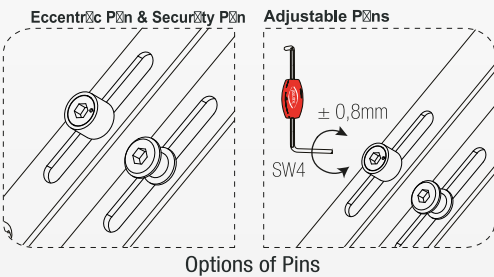
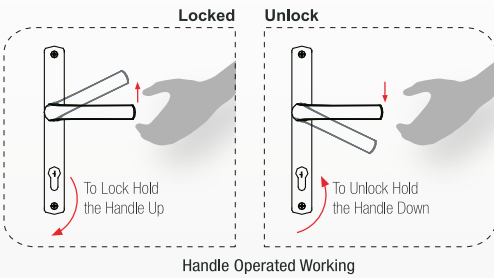
Order Details

A	85mm w/Cylinder	92mm w/Cylinder	w/Cylinder-Roller Latch	Interior	Bath/WC
20mm	263.085.020.000	-	-	262.090.020.000	261.090.020.000
25mm	263.085.025.000	263.092.025.000	263.000.020.000	262.090.025.000	261.090.025.000
30mm	263.085.030.000	263.092.030.000	263.000.025.000	262.090.030.000	261.090.030.000
35mm	263.085.035.000	263.092.035.000	263.000.030.000	262.090.035.000	261.090.035.000
40mm	263.085.040.000	263.092.040.000	263.000.035.000	262.090.040.000	261.090.040.000
45mm	263.085.045.000	-	-	262.090.045.000	261.090.045.000

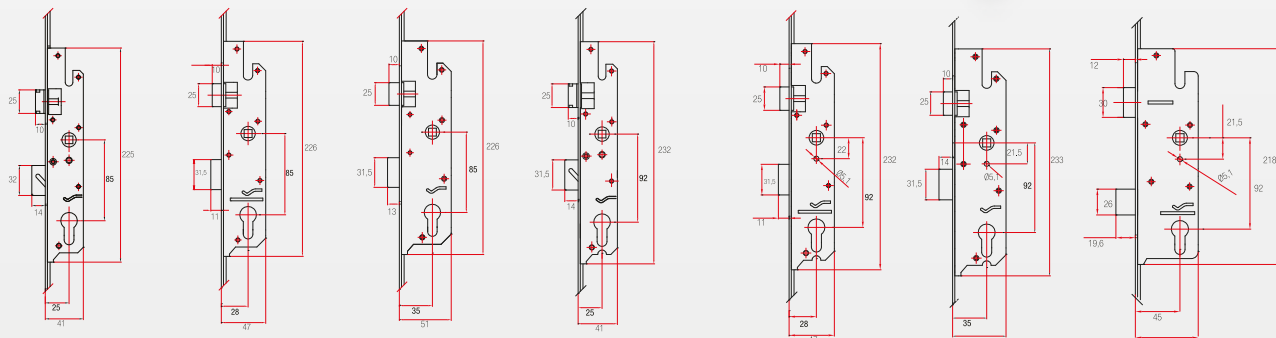
PVC
DOOR LOCK HARDWARES
AS-170 STANDART SERIES

AS-170 Standart Series
Multipoint Locks

- Sash Height : 1800mm - 2400mm
- Body Type : Pls. Body-IronSheet Cover
- Working Style.....: Handle Operated
- Handle Centre.....: 85mm / 92mm
- Axis: 25mm - 28mm - 35mm - 45mm



92/35mm Espagnolette with automatic sliding lock multipoint door locks
160cm: 165160392135
180cm: 165180392135
200cm: 165200392135
Auto Lock striker: 221006007000



Order Details

Type	Boyu	85/25	85/28	85/35	92/25	92/28	92/35	92/45
(B+/D-) w/Cylinder without/Deadbolt	1600mm	170.160.185.125	170.160.185.128	170.160.185.135	170.160.192.125	170.160.192.128	170.160.192.135	170.160.192.145
	1800mm	170.180.185.125	170.180.185.128	170.180.185.135	170.180.192.125	170.180.192.128	170.180.192.135	170.180.192.145
	2000mm	170.200.185.125	170.200.185.128	170.200.185.135	170.200.192.125	170.200.192.128	170.200.192.135	170.200.192.145
(B-/D-) without/Cylinder-Deadbolt	1600mm	170.160.285.125	170.160.285.128	170.160.285.135	170.160.292.125	170.160.292.128	170.160.292.135	170.160.292.145
	1800mm	170.180.285.125	170.180.285.128	170.180.285.135	170.180.292.125	170.180.292.128	170.180.292.135	170.180.292.145
	2000mm	170.200.285.125	170.200.285.128	170.200.285.135	170.200.292.125	170.200.292.128	170.200.292.135	170.200.292.145
(B+/D+)with/Cylinder-Deadbolt	1600mm	170.160.385.125	170.160.385.128	170.160.385.135	170.160.392.125	170.160.392.128	170.160.392.135	170.160.392.145
	1800mm	170.180.385.125	170.180.385.128	170.180.385.135	170.180.392.125	170.180.392.128	170.180.392.135	170.180.392.145
	2000mm	170.200.385.125	170.200.385.128	170.200.385.135	170.200.392.125	170.200.392.128	170.200.392.135	170.200.392.145

PVC
DOOR LOCK HARDWARES
AS-170 SPECIAL SERIES

**AS-170 Special Series
Multipoint Locks**

- Sash Height : 1800mm - 2400mm
- Body Type : Pls. Body-IronSheet Cover
- Working Style: Handle Operated
- Handle Centre: 70mm / 85mm / 92mm
- Axis : 25mm - 28mm - 35mm - 45mm

(Cuttable)

(Reversing)

(w/Hook)

(w/Additional Lock)

Order Details

Type	Size	70/25
(B+/D+)with/ Cylinder-Deadbolt	1600mm	170.160.370.125
	1800mm	170.180.370.125
	2000mm	170.200.370.125

Order Details

Type	Size	85/35
(B+/D-) w/Cylinder without/Deadbolt	1600mm	173.160.185.135
	1800mm	173.180.185.135
	2000mm	173.200.185.135
(B-/D-) without/ Cylinder-Deadbolt	1600mm	173.160.285.135
	1800mm	173.180.285.135
	2000mm	173.200.285.135
(B+/D+)with/ Cylinder-Deadbolt	1600mm	173.160.385.135
	1800mm	173.180.385.135
	2000mm	173.200.385.135

Order Details

Type	Size	85/35	92/35
(B+/D+)with/ Cylinder-Deadbolt	1600mm	172.180.385.135	172.180.392.135
	1800mm	172.200.385.135	172.200.392.135

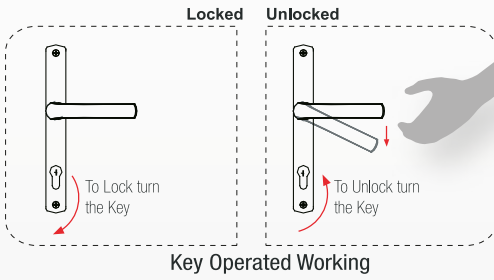
Order Details

Type	Boyu	85/25	85/28	85/35	92/25	92/28	92/35	92/45
Barelli/Dilli	1930mm	175.193.385.125	175.193.385.128	175.193.385.135	175.193.392.125	175.193.392.128	175.193.392.135	175.193.392.145

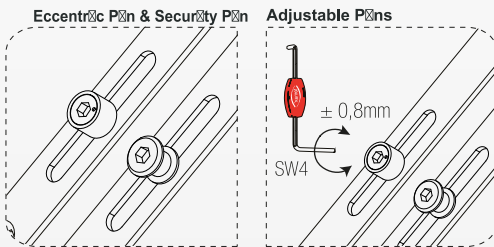
PVC
DOOR LOCK HARDWARES
AS-160 STANDART SERIES

AS-160 Standart Series
Key Operated Multipoint Locks

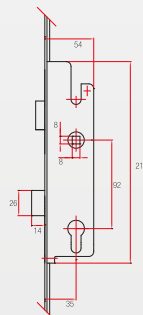
- Sash Height : 1800mm - 2400mm
- Body Type : Zamac Body-ironSheet Cover
- Working Style : Key Operated
- Handle Centre : 92mm
- Axis : 35mm



Key Operated Working



Options of Pins



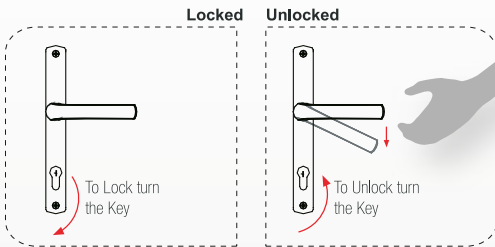
Order Details

Type	Size	92/35
(B+/D+)with/ Cylinder-Deadbolt	1600mm	160.160.392.135
	1800mm	160.180.392.135
	2000mm	160.200.392.135

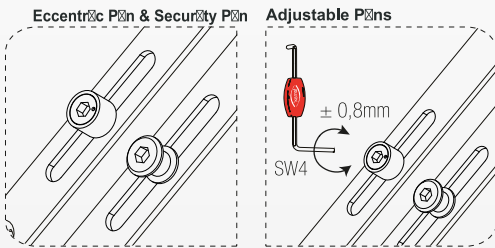
PVC
DOOR LOCK HARDWARES
AS-160 ROLLER LATCH SERIES

AS-160 w/Roller Latch Series
Key Operated Multipoint Locks

- Sash Height : 1800mm - 2400mm
- Body Type : Zamac Body-ironSheet Cover
- Working Style : Key Operated (w/Roller Latch)
- Handle Centre : 92mm
- Axis : 35mm

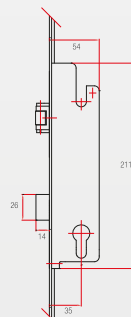


Key Operated Working



Options of Pins

w/Roller Latch



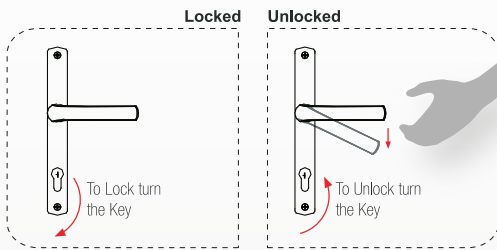
Order Details

Type	Size	92/35 Makarali
(B+/D+)with/	1600mm	169,160,392,135
Cylinder-Deadbolt	1800mm	169,180,392,135
	2000mm	169,200,392,135

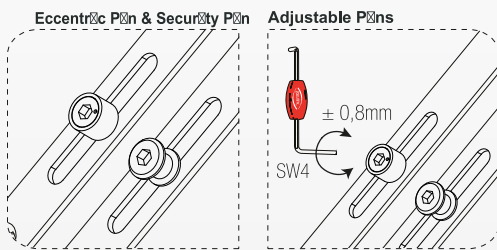
PVC
DOOR LOCK HARDWARES
AS-160 SPECIAL SERIES

AS-160 Special Series
Key Operated Multipoint Locks

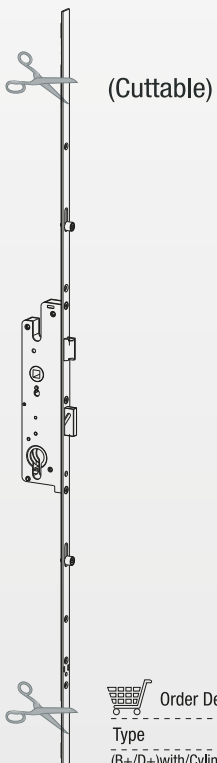
- Sash Height : 1800mm - 2400mm
- Body Type: Zamac Body-ironSheet Cover
- Working Style.....: Key Operated
- Handle Centre.....: 92mm
- Axis: 35mm



Key Operated Working

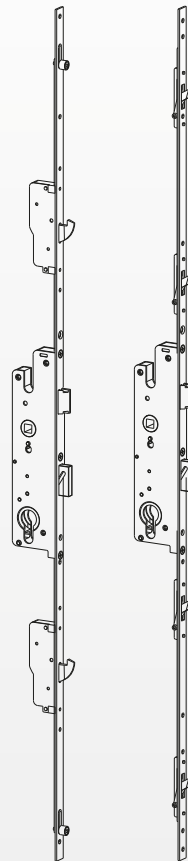
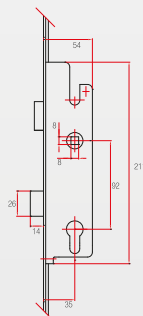


Options of Pins



Order Details

Type	Size	92/35
(B+/D+)with/Cylinder-Deadbolt	1930mm	160.193.385.125

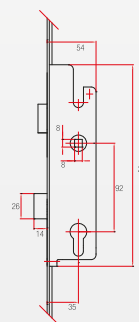


Order Details

Type	Size	92/35 W /Hook	92/35 W /Small Hook 2008mm
(B+/D+)with/Cylinder-Deadbolt	1800mm	161.180.392.135	162.208.392.035 Right
	2000mm	161.200.392.135	162.208.392.335 Left

(w/Hook)

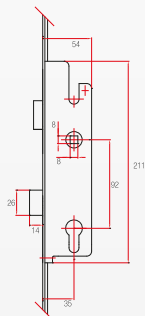
(w/Small Hook)



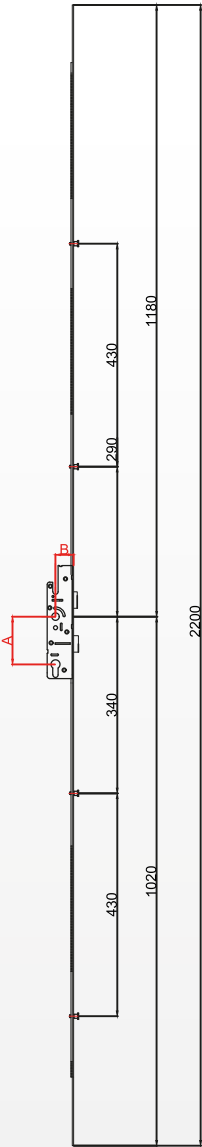
(w/Additional Lock)

Order Details

Type	Size	92/35
(B+/D+)with/Cylinder-Deadbolt	1600mm	163.160.392.135
	1800mm	163.180.392.135
	2000mm	163.200.392.135

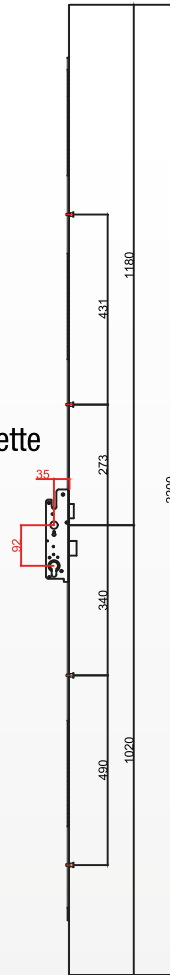


PVC
DOOR LOCK HARDWARES
SERRATED ESPAGNOLETTE



2200 Double serrated locked espagnolette

Size	A(mm)	B(mm)
2200	92	35
2200	92	28
2200	92	25
2200	85	35
2200	85	28
2200	85	25



2200/92/35mm Backset Key Activated Multipoint Door Locks

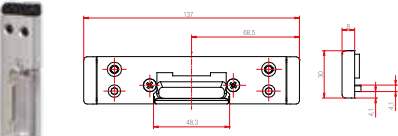


Order Details

Type	Size
168220385125	2200-1600/85/25 D.Esp,TRT SKT,B+D+,EP+,14
168220385135	2200-1600/85/35 D.Esp,TRT SKT,B+D+,EP+,ZY+14
168220392125	2200-1600/92/25 D.Esp,TRT SKT,B+D+,EP+,14
168220392135	2200-1600/92/35 D.Esp,TRT SKT,B+D+,EP+,ZY+14
169220392135	2200-1600/92/35 Key Activated Multipoint Door Locking Espagnolette(Roller Slide, Barrel, dilli)
160220392135	2200-1600/92/35 Key Activated Multipoint Door Locking Espagnolette (Barrel, dilli)

PVC
DOOR LOCK HARDWARES
ACCESSORIES

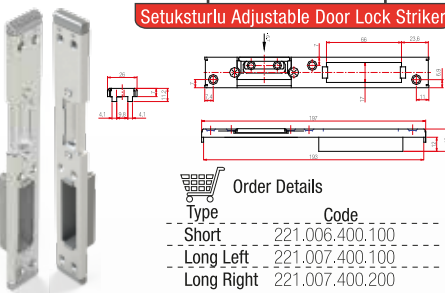
Adjustable Door Lock Striker Small



Order Details

Type	Code
1,5 mm Left/Right	221.006.000.000
2 mm Left/Right	221.006.001.000

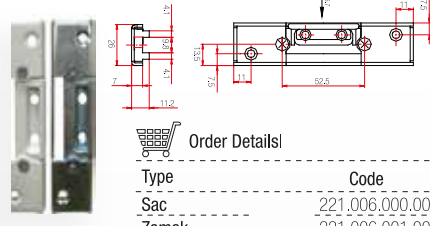
Setuksturlu Adjustable Door Lock Striker



Order Details

Type	Code
Short	221.006.400.100
Long Left	221.007.400.100
Long Right	221.007.400.200


Adjustable Door Lock Striker Short



Order Details

Type	Code
Sac	221.006.000.000
Zamak	221.006.001.000

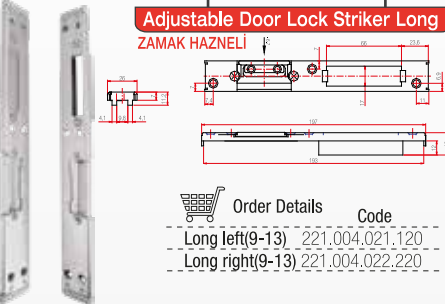
BAREL



Order Details

Type	Code
68mm	499.002.068.101
83mm	499.002.083.101
90mm	499.002.090.101
100mm	499.002.100.101

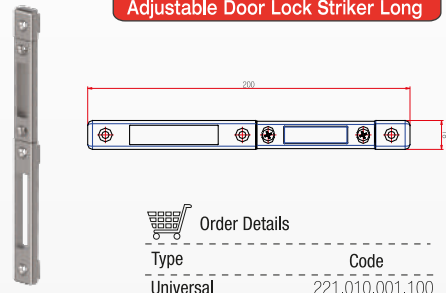
Adjustable Door Lock Striker Long
ZAMAK HAZNELI



Order Details

Type	Code
Long left(9-13)	221.004.021.120
Long right(9-13)	221.004.022.220

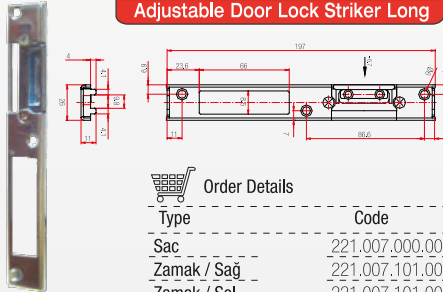
Adjustable Door Lock Striker Long



Order Details

Type	Code
Universal	221.010.001.100

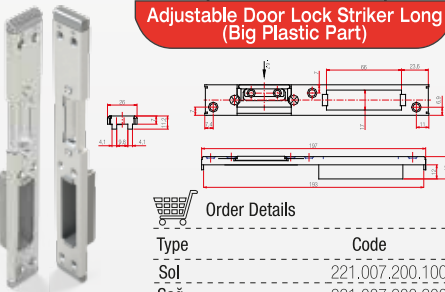
Adjustable Door Lock Striker Long



Order Details

Type	Code
Sac	221.007.000.000
Zamak / Sağ	221.007.101.004
Zamak / Sol	221.007.101.005

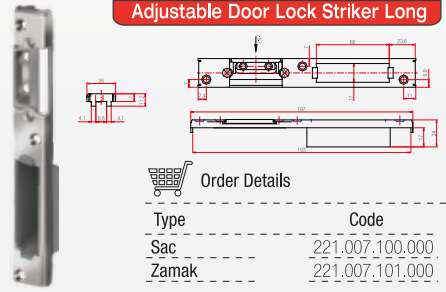
Adjustable Door Lock Striker Long
(Big Plastic Part)



Order Details

Type	Code
Sol	221.007.200.100
Sağ	221.007.200.200

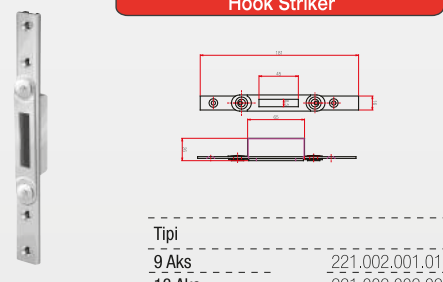
Adjustable Door Lock Striker Long



Order Details

Type	Code
Sac	221.007.100.000
Zamak	221.007.101.000

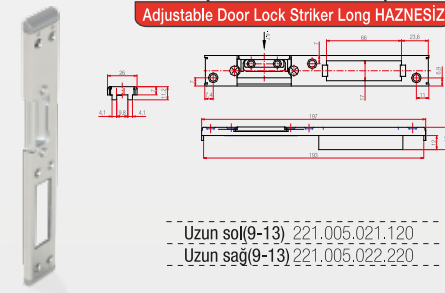
Hook Striker



Order Details

Tipi	Code
9 Aks	221.002.001.010
13 Aks	221.002.002.020

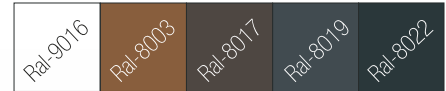
Adjustable Door Lock Striker Long HAZNESİZ



Order Details

Type	Code
Uzun sol(9-13)	221.005.021.120
Uzun sağ(9-13)	221.005.022.220

PVC
WINDOWS & DOOR HINGES
HINGES

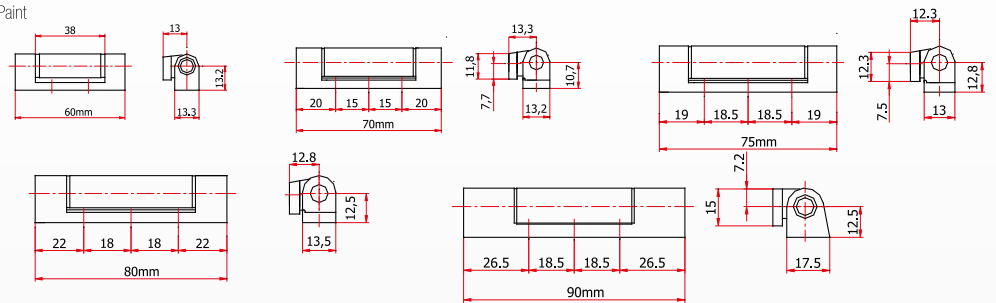


Window Hinges

Carrying Capacity^{max} : max. 90 kg
Body Type : Zamac Gearbox
Surface Coating : Electrostatic Powder Paint

Order Details

60mm	130.060.001.000
70mm	130.070.001.000
75mm	130.075.001.000
80mm	130.080.001.000
90mm	130.090.001.000

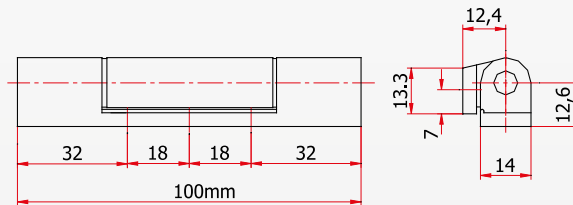


Door Hinges

Carrying Capacity^{max} : max. 90 kg
Body Type : Zamac Gearbox
Surface Coating : Electrostatic Powder Paint

Order Details

60mm	130.100.001.000
------	-----------------

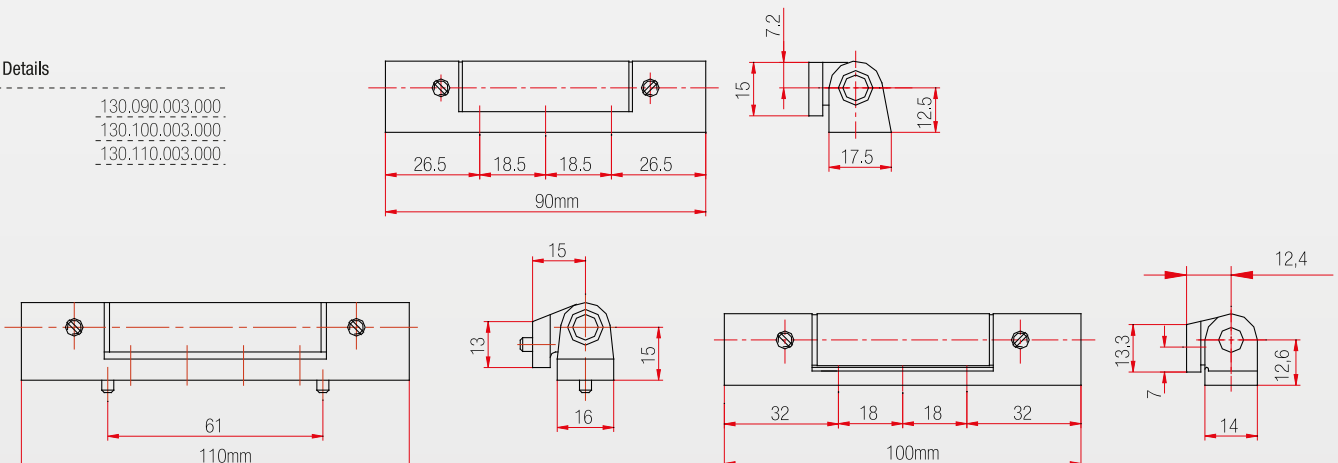


Outwarding Door Hinges

Carrying Capacity^{max} : max. 90 kg
Body Type : Zamac Gearbox
Surface Coating : Electrostatic Powder Paint

Order Details

90mm	130.090.003.000
100mm	130.100.003.000
110mm	130.110.003.000



PVC
WINDOWS & DOOR HINGES
3D ADJUSTABLE DOOR HINGES

3D Adjustable Hinges

Carrying Capacity^{max} : max. 85 kg / 125 kg
 Body Type : Zamac Gearbox
 Surface Coating : Electrostatic Powder Paint
 Pins : Stainless Pin Option
 Adjust Option : 3D Adjust Mechanism



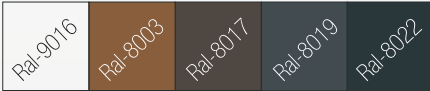
Order Details

Type	
85 Kg	130.085.018.000
85 Kg Stainless Pin	130.085.019.000
125 Kg	130.125.018.000
125 Kg Stainless Pin	130.125.019.000



3D Adjustable Hinge (Aluminium)

Carrying Capacity^{max} : max. 125 kg
 Body Type : Aluminium Gearbox
 Surface Coating : Electrostatic Powder Paint
 Pins : Stainless Pin Option
 Adjust Option : 3D Adjust Mechanism



Order Details

Type	
125 Kg	130.125.001.000



3D Adjustable Hinge

Carrying Capacity^{max} : max. 160 kg
 Body Type : Zamac Gearbox
 Surface Coating : Electrostatic Powder Paint
 Pins : Stainless Pin Option
 Adjust Option : 3D Adjust Mechanism

Order Details

Type	
160 Kg	130.160.001.000



PVC
WINDOWS & DOOR HANDLES
HANDLES

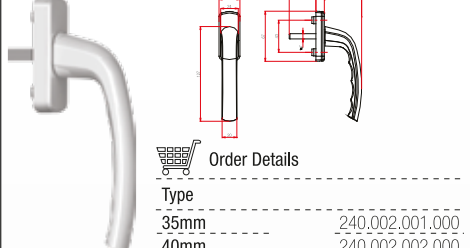
WINDOW HANDLES (w/Iron Part)



Order Details

Type	
Demirli	240.001.001.000

WINDOW HANDLES (Aluminium)



Order Details

Type	
35mm	240.002.001.000
40mm	240.002.002.000

WINDOW HANDLES (without Iron Part)



Order Details

Type	
without Iron Part	240.001.010.000

DOOR HANDLES (Bathroom/WC - w/Spring)



Order Details

Type	
92/28	244.003.001.000
92/35	244.003.002.000

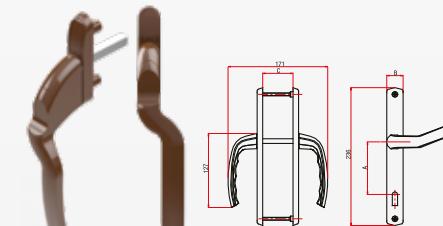
DOOR HANDLES (w/Cylinder - w/Spring)



Order Details

Type	AVR
85/28	244.001.001.000
85/35	244.001.002.000
92/28	244.001.003.000
92/35	244.001.004.000

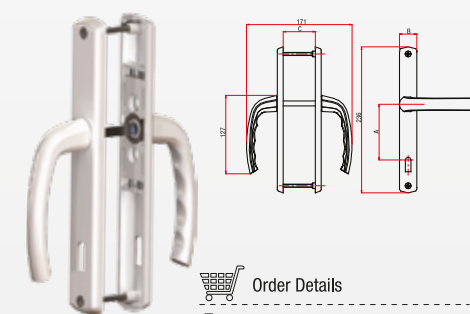
Narrow arm thin arm, locked and unlocked model



Order Details

Type	
Zamak Gövde ,Kilitli ,Dar ,Kıvrık-R	244005003000
Zamak Gövde ,Kilitli ,Dar ,Kıvrık-L	244005003001

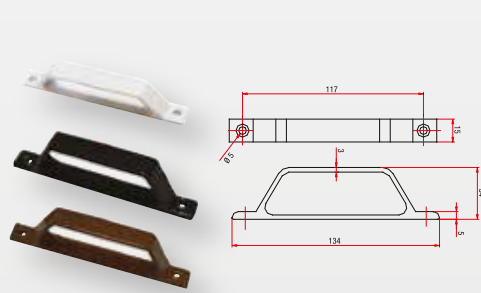
DOOR HANDLES (w/Interior - w/Spring)



Order Details

Type	
92/28	244.002.001.000
92/35	244.002.002.000

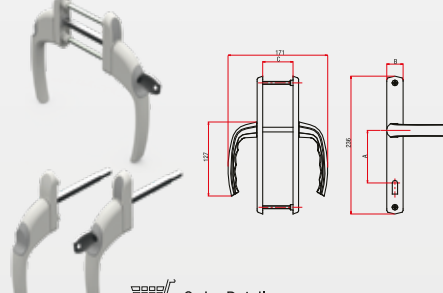
Sliding D Handle



Order Details

Type	
D Handle	412.124.002.004

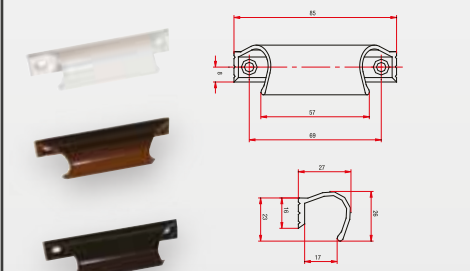
Narrow arm thin arm, locked and unlocked model



Order Details

Type	
Zamak Gövde ,Kilitli ,Dar	244005001000
Alüminyum Gövde ,Kilitli ,Dar	244005001002
Zamak Gövde ,Kilitli ,Dar	244005001003

Sliding C Handle





Order Details

Type	
C Handle	249.001.001.000

PVC
WINDOWS & DOOR HARDWARES
ACCESSORIES


ADJUSTABLE DOUBLE GLAZING SUPPORT



 Order Details

Type	
18mm	250.105.006.000
24mm	250.105.004.000
28mm	250.105.007.000
32mm	250.105.008.000

FINGER PULLCATH



 Order Details

Type	
Aluminium	499.001.001.001
Plastic	250.106.001.000

SASH GUIDING SUPPORT




 Order Details

Type	
Security	499.014.001.301

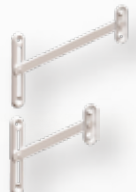
CORNER CONNECTOR CHOCKS



 Order Details

30x42	250.083.042.000
30x45	250.083.045.000
30x50	250.083.050.000
30x53	250.083.053.000
30x55	250.083.055.000
35x40	250.083.540.000
35x53	250.083.553.000
40x40	250.084.040.000
40x50	250.084.050.000
40x53	250.084.053.000

TILT OPENING



 Order Details

Type	
130mm	250.111.001.000
200mm	250.111.002.000
Security	250.111.003.000
Alb	250.111.004.000


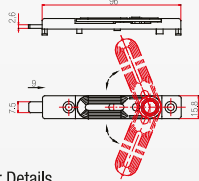
DRAINAGE OUTLET COVER




 Order Details

34mm	250.108.001.000
47mm	250.108.002.000


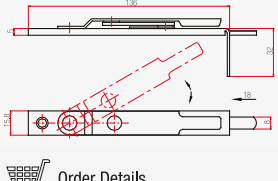
BOLT AND STRIKER





 Order Details

Type	
-	250.113.001.000


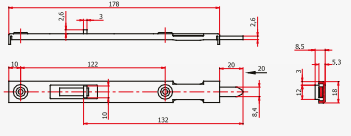
BOLT AND STRIKER





 Order Details

Type	
-	250.115.001.000

DOUBLE SASH BOLT & STRIKER

 Order Details

Type	
Small	250.114.002.000
Big	250.114.001.000


LUX BALCONY DOOR HOLDER MECH




 Order Details

Code 250.118.003.000

SLIDING ROLLER (Big, Plastic, Brass)



 Order Details

Type	
Single Roller Plastic	412.123.002.001
Single Roller Brass	412.123.002.002

SLIDING ROLLER (small, Plastic, Brass)



 Order Details

Type	
Single Roller Plastic	412.123.001.001
Single Roller Brass	412.123.001.002

SLIDING ROLLER (small, Plastic, Brass)



 Order Details

Type	
One Roller Plastic	412.123.003.002
One Roller Brass	412.123.002.003

SLIDING ROLLER (Big, Plastic, Brass)





 Order Details

Type	
Double Roller Plastic	412.123.003.001
Double Roller Brass	412.123.002.001

PVC
WINDOWS & DOOR HARDWARES
FLYSCREEN HARDWARES

HINGE



 Order Details

Tipi

10x20-17x25 (Plastik)	250.011.001.000
17x25-17x42 (Plastik)	250.001.002.000

LOCK




 Order Details

Tipi

10x20-10x25 (Plastik)	250.005.001.000
10x27-17x42 (Plastik)	250.005.002.000

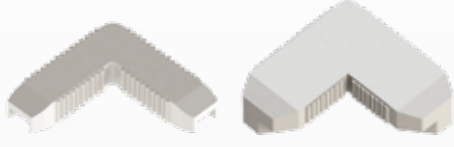
HANDLES




 Order Details

20x20 (Plastik)	250.003.001.000
17x25 (Plastik)	250.003.002.000


CORNER CONNECTION 45°




 Order Details

Window -10x20	250.002.001.000
Pencere/Door 17x25-17x42	250.002.002.000

CORNER CONNECTION 90°



 Order Details

Window 10x20	250.002.010.000
Window 10x25	250.002.011.000
Window/Door 17x25	250.002.012.000
Window/Door 17x25 -17x42	250.002.013.000

HANDLES



 Order Details

Type	
(Plastic) 10x20	250.004.001.000

HOOP



 Order Details

Type	
10x20-10x25-17x25	425.008.010.001


HOOP CONNECTION BOTTOM




 Order Details

Type	
10x20-10x25-17x25	250.006.001.000

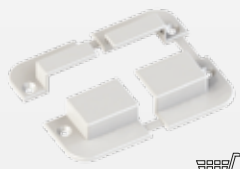
HANDLES




 Order Details

Type	
10x20-10x25 (Plastic)	250.003.003.000

CONNECTION BLACK



 Order Details

Type	
Window 10x20/25	250.007.001.000
Window 17x25	250.007.002.000

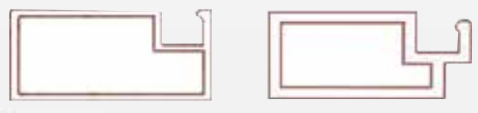
KIL FITİL




 Order Details

Type	
10x20-10x25-17x25	425.004.000.301


PROFILE




 Order Details

Type	
17x20	425.007.010.301
17x25	425.007.017.301

CONNECTION PART FOR DOOR



 Order Details

Type	
10x20-10x25-17x25	425.002.010.301

STRECHER CORD



 Order Details

Type	
4mm	425.003.040.301
4,5mm	425.003.045.301
5mm	425.003.050.301
6mm	425.003.060.301
7mm	425.003.070.301

FIBER GLASS MESH



 Order Details

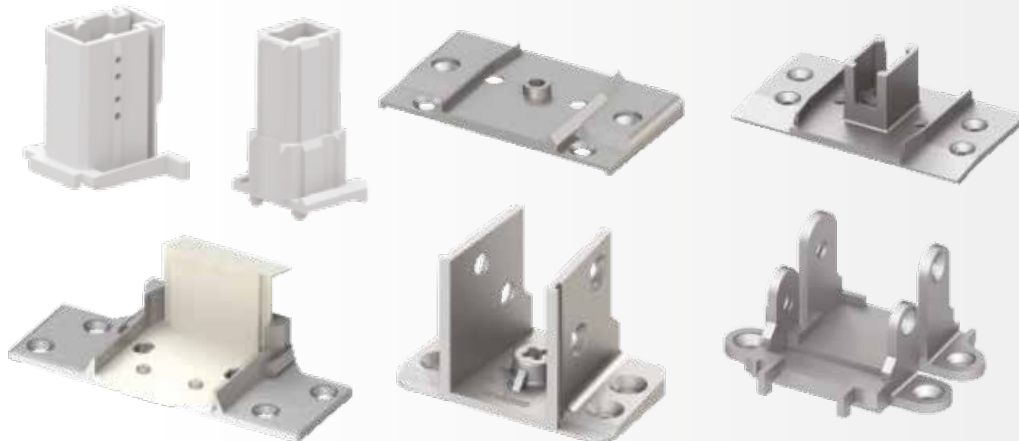
Type	
80mm	425.009.080.001
100mm	425.009.100.001
120mm	425.009.120.001
140mm	425.009.140.001
160mm	425.009.160.001
180mm	425.009.180.001

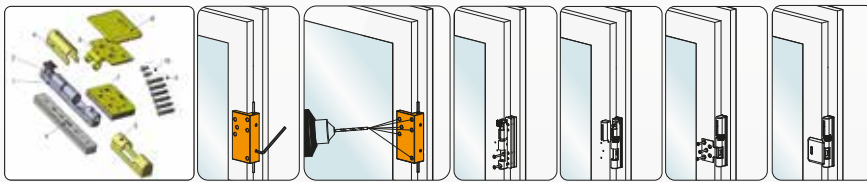
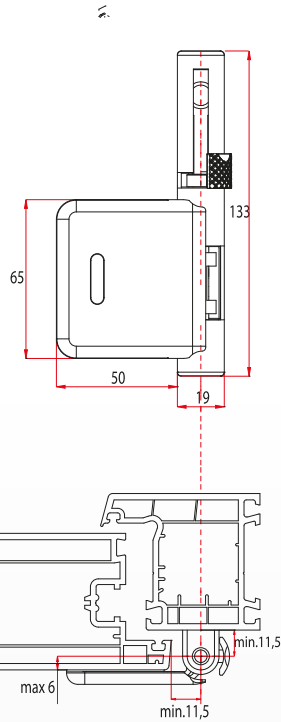


Code	Order Details
220005001000	Espagnolette Striker Bilkapen Gold double hole
220010001000	Espagnolette Striker Kompen Penc. (Süperline)
220010002000	Espagnolette Striker Kompen Door
220015001000	Espagnolette Striker Roplasto 6001 AD
220015002000	Espagnolette Striker Roplasto 6001 MD
220024001000	Espagnolette Striker Turn Only Thyssen
220121001000	Espagnolette Striker Pimaş 13AKS AY70550001
220121002000	Espagnolette Striker Pimaş Quadro 9 Aks
220122002000	Espagnolette Striker Wintech Sliding
220122003000	Espagnolette Striker Wintech (13 Aks)
220125001000	Espagnolette Striker Pensa
220127001000	Espagnolette Striker Schönline
220128001000	Espagnolette Striker Asaşpen 5200
220128004000	Espagnolette Striker Asaşpen 7051-1251-1252 (IK01010)
220128006000	Espagnolette Striker Asaşpen 6401-7501 (6041N) (IK03001)
220128007000	Espagnolette Striker Asaşpen 5201N (IK01003N) (5200)
220129002000	Espagnolette Striker Erpen Extraline (Trend)
220129003000	Espagnolette Striker Erpen Universal Har.Ok Karş.
220129004000	Espagnolette Striker Erpen Smartline
220130002000	Espagnolette Striker Egepen Max
220130003000	Espagnolette Striker Egepen Zendow
220131001000	Espagnolette Striker Enderpen
220132001000	Espagnolette Striker Keban 6002
220132003000	Espagnolette Striker Keban 4600
220133001000	Espagnolette Striker Europen Dorion
220133002000	Espagnolette Striker Europen
220134001000	Espagnolette Striker Firat 1S
220134002000	Espagnolette Striker Firat Sliding
220144001000	Espagnolette Striker Sliding steel
220145001000	Espagnolette Striker Rusya - Fornax 13 Aks.
220145002000	Espagnolette Striker Rusya - Fornax 12 Aks.
220145003000	Espagnolette Striker Rusya - Fornax 13 Aks Plc Krş.
220260001000	Univesal Mobile Mullion Connector Striker
220991001000	Espagnolette Striker Turn Only 13 Aks GP+
220993001000	Espagnolette Striker Pakpen
220994001000	Espagnolette Striker Plaspen (9 Aks)
220997001000	Espagnolette Striker Al.Mimari
220998001000	Espagnolette Striker Rehau
220122017000	Espagnolette Striker Wintech Combi Sliding

PVC
WINDOWS & DOOR HARDWARES
MULLION CONNECTORS

Code	Order Details	Code	Order Details	Code	Order Details
230004001100	Okbt Brüganm ZS 302,C+	230127005000	Okbt Brüganm ZS 302,C+	230153002100	Okbt Kömmerling 118mm Kulaksız,C+
230006001100	Okbt Dimex Comfort 60	230127006000	Okbt Dimex Comfort 60	230153003100	Okbt Kömmerling Elegance 70,C+
230007001000	Okbt Esenpen Millenium	230127007000	Okbt Esenpen Millenium	230153004100	Okbt Kömmerling 118mm Kulaklı Szd.Std. Contalı
230008001000	Okbt Kmg Prelude 60	230127008000	Okbt Kmg Prelude 60	230153004101	Okbt Kömmerling 118mm Kulaklı Szd.Merdiven Contalı
230008002000	Okbt Kmg Prelude 70	230127009000	Okbt Kmg Prelude 70	230153004102	Okbt Kömmerling 118mm Kulaklı Szd.Düz Contalı
230010001000	Okbt Kompen 2000	230128001100	Okbt Kompen 2000	230155001000	Okbt Wyamar 6955 ES2000 Beyaz
230010002000	Okbt Kompen 900 Seri	230128002100	Okbt Kompen 900 Seri	230156001000	Okbt Aluplast İdeal 2000
230010003000	Okbt Kompen 500 Seri	230128003100	Okbt Kompen 500 Seri	230156002000	Okbt Aluplast İdeal 4000 C+
230010004000	Okbt Kompen (93.2.200)	230128004100	Okbt Kompen (93.2.200)	230157001100	Okbt Wıncıau Optimum,C+
230011001000	Okbt Mywin Optima 60	230128005100	Okbt Mywin Optima 60	230158001100	Okbt Trocal İnnova A5,C+
230012001100	Okbt Plafen 60,C+	230128006100	Okbt Plafen 60,C+	230160001000	Okbt Taurus Besto Awplast
230013001000	Okbt Profine İnfınıte 6032	230128007100	Okbt Profine İnfınıte 6032	230160002000	Okbt Taurus Platin Seri
230013002100	Okbt Profine İnfınıte 6042	230128008100	Okbt Profine İnfınıte 6042	230160003000	Okbt Taurus Silver Titanium Seri
230013003100	Okbt Profine P.76301.14 Kulaklı,C+	230128009100	Okbt Profine P.76301.14 Kulaklı,C+	230161001000	Okbt H-NL 40-20 Kulaklı
230013004100	Okbt Profine P.76301.14 Kulaksız,C+	230128010100	Okbt Profine P.76301.14 Kulaksız,C+	230161002000	Okbt H-NL 40-10 Kulaksız
230013005100	Okbt Profine 76300 Kulaklı,C+	230128011100	Okbt Profine 76300 Kulaklı,C+	230162001000	Okbt Saray SA07
230013006100	Okbt Profine 76300 Kulaksız,C+	230128012100	Okbt Profine 76300 Kulaksız,C+	230162002100	Okbt Saray Kapı PSY-050
230013007100	Okbt Profine 76303 Kulaklı,C+	230128013100	Okbt Profine 76303 Kulaklı,C+	230163001100	Okbt Galvin,C+
230013008100	Okbt Profine 76303 Kulaksız,C+	230128014100	Okbt Profine 76303 Kulaksız,C+	230163002100	Okbt GalTech,C+
230014001000	Okbt Shaphıre Luxus 80,75mm	230128015100	Okbt Shaphıre Luxus 80,75mm	230164001000	Okbt Wıntech W532
230015001000	Okbt Roplasto 6001 MD	230128016100	Okbt Roplasto 6001 MD	230166001000	Okbt Euro Süper
230015003100	Okbt Roplasto 6002 (679901),C+	230128017100	Okbt Roplasto 6002 (679901),C+	230167001100	Okbt Hammer 1,C+
230015005100	Okbt Roplasto 7001 MD C+	230129001000	Okbt Roplasto 7001 MD C+	230167002100	Okbt Hammer 2,C+
230017001000	Okbt Techoplas Vega	230129002000	Okbt Techoplas Vega	230167003100	Okbt Hammer 3,C+
230018001000	Okbt Plastherm 70	230129004000	Okbt Plastherm 70	230167004100	Okbt Hammer 4,C+
230122002000	Okbt Wıntech FR W632	230129005000	Okbt Wıntech FR W632	230167005100	Okbt Hammer 5,C+
230122003000	Okbt Wıntech FR W752/742	230129006000	Okbt Wıntech FR W752/742	230167006100	Okbt Hammer 6,C+
230122006000	Okbt Pentech PE 60	230129006001	Okbt Pentech PE 60	230167007100	Okbt UTK Kore Pls.OKBT (Joiner)
230122007000	Okbt Wıntech W220/232	230130001000	Okbt Wıntech W220/232	230168001000	Okbt Saray Tip,C+
230122010000	Okbt Wıntech P430-632 Marmara CRP	230130002000	Okbt Wıntech P430-632 Marmara CRP	230169001100	Okbt Maysan 70 İlık Seri (STP),C+
230122016000	Okbt Wıntech TN55	230130003100	Okbt Wıntech TN55	230169002100	Okbt Maysan 60 İlık Seri (STP),C+
230122021100	Okbt Wıntech W752,C+	230131001000	Okbt Wıntech W752,C+	230170002000	Okbt NURPLAST EKO SERİ
230122022000	Okbt Wıntech W532	230131002000	Okbt Wıntech W532	230171001100	Okbt Hamelton,C+
230122023000	Okbt Wıntech W70	230131003000	Okbt Wıntech W70	230180001000	Okbt Pro Pvc 60 İlık Seri
230122024000	Okbt Wıntech Eko . P430 Marmara	230131004000	Okbt Wıntech Eko . P430 Marmara	230180002000	Okbt Pro Pvc 70 İlık Seri
230123001100	Okbt Salamender 2D Streamline 76,2C+	230131005000	Okbt Salamender 2D Streamline 76,2C+	230190001000	OKBT WİSTA BEST 60 İLIK SERİ (İFRAN)
230123002100	Okbt Salamender 2DK Desing 2D,C+	230132002000	Okbt Salamender 2DK Desing 2D,C+	230191001000	OKBT ALL STORES
230123003100	Okbt Salamender Desing 3DS,C+	230133001000	Okbt Salamender Desing 3DS,C+	230992001000	Okbt Laumann
230123004100	Okbt Salamender 3DK Desing 3D,C+	230133002000	Okbt Salamender 3DK Desing 3D,C+	230993001000	Okbt Pakpen Optimal
230124001100	Okbt Veka 58mm Softline,C+	230133003000	Okbt Veka 58mm Softline,C+	231002001000	Okbt Rehau Thermo Design Pls
230124002000	Okbt Veka 64mm Wingline,C+	230133004000	Okbt Veka 64mm Wingline,C+	231002003000	Okbt Rehau Basic Line Pls
230124003000	Okbt Veka 75mm Topline AD,C+	230134001000	Okbt Veka 75mm Topline AD,C+	231002004000	Okbt Rehau Brilliant DesingT Pls
230124004100	Okbt Veka 85mm Topline (Eski Tip),C+	230134002100	Okbt Veka 85mm Topline (Eski Tip),C+	231004001000	Okbt Eurofasad Pls
230124005000	Okbt Veka 100mm Contour-Kıetıs,C+	230134003000	Okbt Veka 100mm Contour-Kıetıs,C+	230-0010-700	Okbt Kompen 700 Seri
230124006000	Okbt Veka 118mm Topline Plus,C+	230135001100	Okbt Veka 118mm Topline Plus,C+	230015004100	Okbt Roplasto 7001 MD Boyal Contalı
230124007000	Okbt Veka 106.230 Softline 58 MD,C+	230135002100	Okbt Veka 106.230 Softline 58 MD,C+	230019001000	Okbt Welplast Tornado
230124008000	Okbt Veka 106.231 Softline 70,C+	230135003100	Okbt Veka 106.231 Softline 70,C+	230122005000	Okbt Wıntech W80
230124009000	Okbt Veka 85mm Topline (Yeni Tip),C+	230137001100	Okbt Veka 85mm Topline (Yeni Tip),C+	230122008000	Okbt Wıntech W432
230125001000	Okbt Pensa Avantaj	230137002100	Okbt Pensa Avantaj	230122011000	Okbt Wıntech W642
230125002000	Okbt Pensa Bonus	230138001000	Okbt Pensa Bonus	230122014000	Okbt Wıntech W752 CRP
230125003000	Okbt Pensa Leader (Grı Contalı)	230138002000	Okbt Pensa Leader (Grı Contalı)	230122015000	Okbt Wıncıau WO60 CRP
230125004000	Okbt Pensa Ultra	230140001000	Okbt Pensa Ultra	230122017000	Okbt Wıntech W752 SM
230125005000	Okbt Pensa Leader (Beyaz Contalı)	230140002000	Okbt Pensa Leader (Beyaz Contalı)	230122018000	Okbt Wıntech BVC 13
230126001100	Okbt Technoplas Megatech,C+	230140003000	Okbt Technoplas Megatech,C+	230132001000	Okbt Keban 6002
230126002000	Okbt Technoplas Startech	230142001100	Okbt Technoplas Startech	230132003000	Okbt Keban 4600
230126003000	Okbt Technoplas Supertech	230142002100	Okbt Technoplas Supertech	230141001000	Okbt Wınsa Dar Seri
230126004000	Okbt Technoplas Ultratech	230142003000	Okbt Technoplas Ultratech	230141002000	Okbt Wınsa Genıs Seri
230127001000	Okbt Schönline 60 İ.G.	230151001100	Okbt Schönline 60 İ.G.	230154002000	Okbt Uniplast T 60 Seri
230127002000	Okbt Schönline 60	230152001000	Okbt Schönline 60	230170001000	Okbt Nurplast 60
230127003000	Okbt Schönline 70 İ.G.	230152002000	Okbt Schönline 70 İ.G.	231002002000	Okbt Rehau Titanium Pls
230127004000	Okbt Schönline 70	230153001100	Okbt Schönline 70		





Extra Security Bolt for Doors and Windows

FGS Extra security bolt can be applied on all types of doors and windows. thus, anyone in need of additional security can use this product.

FGS Extra Security Bolt is a high security level product that can be used against outside threats of burglary. At the same time, when mounted beyond reach of children, it can also function as a child-safety by blocking the uncontrolled opening of the window and doors.

The biggest advantage of the product is that it consists of few parts and it is easy to apply by just following the mounting installation.

Another advantage is that it does not occupy much space on the door and window. The high level security products locking pin brings ease of use as it is simple to operate.

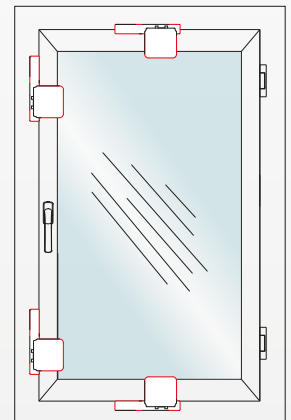
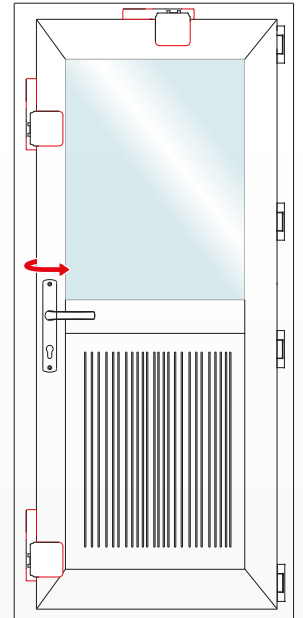
Moreover, users can easily observe the "open" or "close" position of the item.

FGS Extra Security Bolt is resistant to a pressure and force of 1 ton.

SECURITY BOLT

FGS Security Bolt

250113010001





Security Lock w/Hook (KGK-100)

The KGK-100 Security Lock with hook is a locking system that meets the DIN-18104-1 Burglary Resistant Product Requirements. KGK-100 provides protection against unauthorised access to your rooms. The hook bolts are made from reinforced steel bars. Optimum protection is provided by following the installation and operating instructions.

Delivery Package (fig.3)

- 1- 1 Lock Case with hook
- 2- 1 Straking casing of lock
- 3- 1 striking plate
- 4- 1 Screw-on rail spacer
- 5- 1 set spacers 1x1mm, 3x2 mm, 1x8 mm.
- 6- 1 Cover of striker
- 7- 2 Cover of hook lock body
- 8- 3 Keys.
- 9- Screws:
 - * 5 pieces 6,3x60 mm
 - * 2 pieces 4,8x32 mm
 - * 2 pieces 4,8x25 mm
 - * 2 pieces M6x35 mm

SECURTY BOLT

KGK Securty Bolt

250113011000

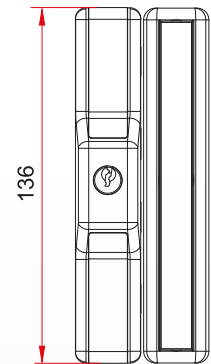


fig./ 1

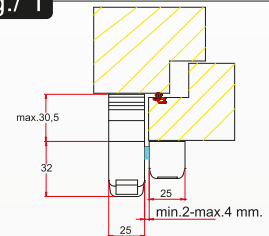


fig./ 2

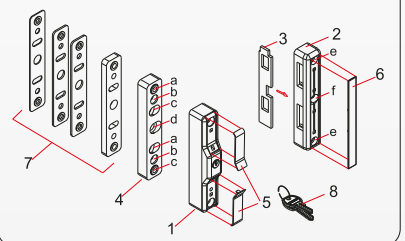
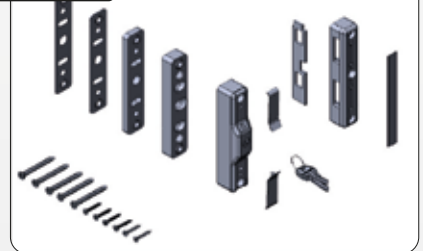


fig./ 3



Yelken Kalıp Pencere Kapı Aksesuarları
ve Metal Sanayi Tic. A.Ş.

Kıraç Battalgazi Mah. Ahmet Haşim Cad. No: 27
Esenyurt - İstanbul - TÜRKİYE

Tel. : +90 212 771 01 01 PBX

Fax. : +90 212 771 01 10

sales@fornax.com.tr

www.fornax.com.tr



"Always Better"

